

PARTS LIST

[HX-GD7]

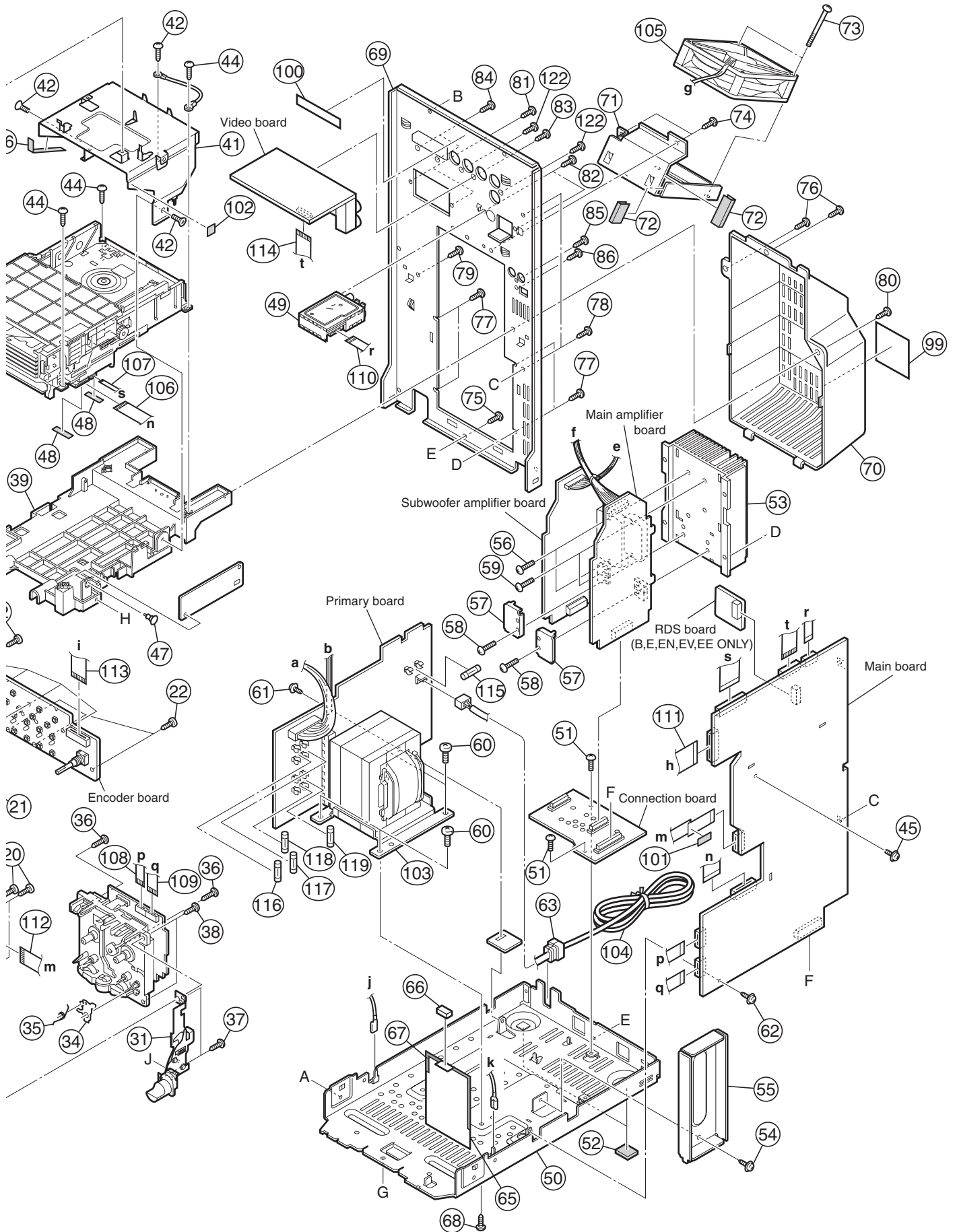
* All printed circuit boards and its assemblies are not available as service parts.

Area suffix

A ----- Australia
B ----- U.K.
E ----- Continental Europe
EN ----- Northern Europe
EV ----- Eastern Europe
EE ----- Russian Federation

- Contents -

Exploded view of general assembly and parts list (Block No.M1)	3- 2
Speaker assembly and parts list (Block No.M2)	3- 6
DVD mechanism assembly and parts list (Block No.MJ).....	3- 7
DVD changer mechanism assembly and parts list (Block No.MK).....	3- 9
Cassette mechanism assembly and parts list (Block No.MP)	3-11
Electrical parts list (Block No.01~07)	3-13
Packing materials and accessories parts list (Block No.M3).....	3-26



General Assembly

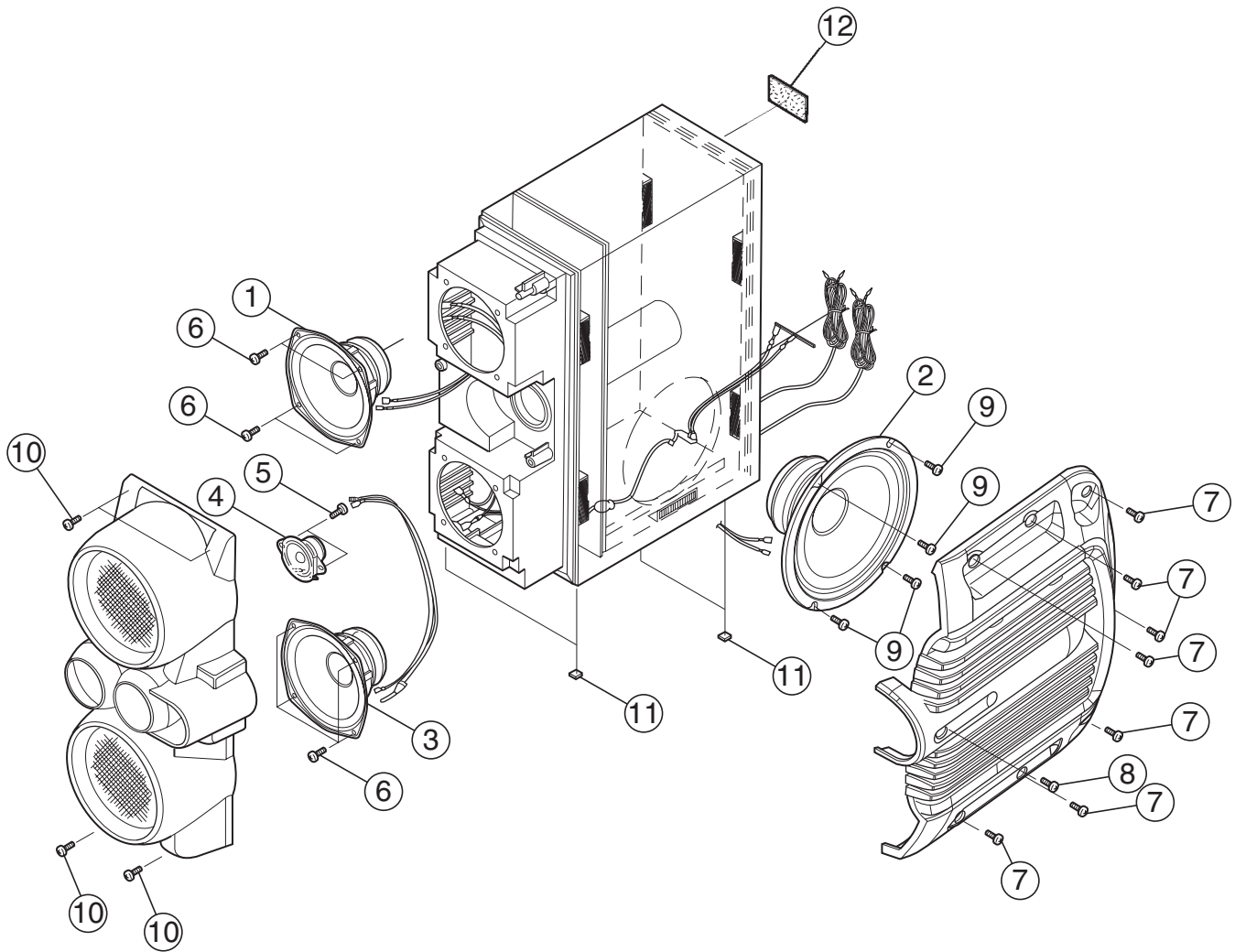
Block No. [M][1][M][M]

△	Symbol No.	Part No.	Part Name	Description	Local
	1	GV10177-004A	FRONT PANEL		GD7A
	1	GV10177-002A	FRONT PANEL		GD7B,GD7E,GD7EE,GD7EN,GD7EV
	2	GV40313-001A	FELT SPACER	(x2)	
	3	GV40464-001A	ARM SPRING	(x2)	
	4	GV40492-001A	COMP.SPRING	(x2)	
	5	GV40483-001A	BUTTON ASSY.(L)		
	6	GV40484-001A	BUTTON ASSY.(R)		
	7	GV40482-001A	SOUND BUTT.ASSY		
	8	GV20260-003A	WINDOW SCREEN		
	9	GV30532-001A	PRESET ORNAMENT		
	10	QYSDSF2608Z	SCREW	2.6mm x 8mm	
	11	GV30534-001A	VOLUME ORNAMENT		
	12	QYSDSF2608Z	SCREW	2.6mm x 8mm	
	13	QYSDSF2608Z	SCREW	2.6mm x 8mm	
	14	GV30571-001A	SOUND MODE ORNA		
	15	GV30542-001A	FUNCTION BUTTON		
	16	GV30541-001A	BUTTON		
	17	GV40461-001A	FUNCTION INDICA		
	18	GV40462-001A	DISPLAY LENS	(x2)	
	19	LV30225-011A	SPACER	(x2)	
	20	QYSDSF2608Z	SCREW	2.6mm x 8mm(x8)	
	21	GV30570-002A	CONTROL BUTT.A		
	22	QYSDSF2608Z	SCREW	2.6mm x 8mm(x8)	
	23	GV30528-004A	POWER BUTTON		
	24	GV40459-001A	STANDBY INDICAT		
	25	QYSDSF2608Z	SCREW	2.6mm x 8mm(x2)	
	26	GV30529-002A	DISPLAY BUTTON		
	27	QYSDSF2608Z	SCREW	2.6mm x 8mm(x3)	
	28	QYSDSF2608Z	SCREW	2.6mm x 8mm(x4)	
	29	E65923-003	TAPPING SCREW		
	30	GV30588-001A	CASS.HOLD.ASSY.		
	31	GV30572-001A	CASS.EJECT SYS.		
	32	GV40034-001A	DAMPER ASSY.		
	33	GV40398-001A	SPRING		
	34	VKL7850-002	EJECT SAFETY(R)		
	35	VKW5258-003	TORSION SPRING		
	36	QYSBSF3012Z	TAP SCREW	3.0mm x 12mm(x2)	
	37	QYSBSF3008Z	SCREW	3mm x 8mm(x2)	
	38	QYSBSG3010Z	TAPPING SCREW	3mm x 10mm(x2)	
	39	GV10179-001A	PLASTICS CHASS		
	40	QYSSSF3010Z	TAP SCREW	M3 x 10mm(x2)	
	41	GV10182-001A	MAIN CHASSIS		
	42	QYSSSF3010Z	TAP SCREW	M3 x 10mm(x3)	
	43	QYSBSGG3008E	TAPPING SCREW	3mm x 8mm(x2)	
	44	QYSBSF3008Z	SCREW	3mm x 8mm(x4)	
	45	QYSBSGG3008E	TAPPING SCREW	3mm x 8mm	
	46	LV30225-079A	SPACER		
	47	E310243-002	PLASTIC RIVET		
	48	LV30225-011A	SPACER	(x2)	
	49	QAU0347-001	TUNER		
	50	GV10181-002A	CHASSIS BASE		
	51	QYSBSG3006Z	TAPPING SCREW	3mm x 6mm(x2)	
	52	GV40313-002A	FELT SPACER	(x2)	
	53	GV30547-002A	HEAT SINK		
	54	QYSBSGG3008Z	TAP SCREW	3mm x 8mm	
	55	GV30545-001A	SUPPORT BRAC.		
	56	QYSBSG3020E	TAP SCREW	3mm x 20mm(x2)	
	57	GV40297-003A	LEAF SPRING	(x2)	
	58	QYSBSG3014E	TAP SCREW	3mm x 14mm(x2)	
	59	QYSBSG3020E	TAP SCREW	3mm x 20mm(x2)	
	60	QYSDSTL4008Z	ASSY SCREW	4mm x 8mm(x4)	
	61	QYSBSGG3008Z	TAP SCREW	3mm x 8mm	
	62	QYSBSGG3008E	TAPPING SCREW	3mm x 8mm	
△	63	QZW0033-001	STRAIN RELIEF		
	64	QYSBSGY3008E	SPECIAL SCREW	3mm x 8mm(x3)	
	65	GV30617-001A	TRANS SHEILD		
	66	GV30349-035A	SPACER		
	67	GV30349-036A	SPACER		
	68	QYSBSGG3008E	TAPPING SCREW	3mm x 8mm	
	69	GV10183-011A	REAR PANEL		GD7A
	69	GV10183-003A	REAR PANEL		GD7EE
	69	GV10183-002A	REAR PANEL		GD7B,GD7E,GD7EN,GD7EV
	70	GV10199-001A	REAR COVER		
	71	GV30544-001A	FAN BRACKET		

△	Symbol No.	Part No.	Part Name	Description	Local
	72	LV30225-011A	SPACER	(x2)	
	73	QYSBSG3030Z	TAP SCREW	M3 x 30mm(x2)	
	74	QYSBSGY3008E	SPECIAL SCREW	3mm x 8mm(x2)	
	75	QYSBSGY3008E	SPECIAL SCREW	3mm x 8mm	
	76	QYSBSGY3008E	SPECIAL SCREW	3mm x 8mm(x2)	
	77	QYSBSGY3008E	SPECIAL SCREW	3mm x 8mm(x4)	
	78	QYSBSGY3008E	SPECIAL SCREW	3mm x 8mm(x2)	
	79	QYSBSGY3008E	SPECIAL SCREW	3mm x 8mm	
	80	QYSBSF3012E	SPECIAL SCREW	3mm x 12mm	
	81	QYSBSGY3008E	SPECIAL SCREW	3mm x 8mm(x2)	
	82	QYSBSGY3008E	SPECIAL SCREW	3mm x 8mm(x2)	
	83	QYSBSGY3008E	SPECIAL SCREW	3mm x 8mm	GD7B, GD7E, GD7EE, GD7EN, GD7EV
	84	QYSBSGY3008E	SPECIAL SCREW	3mm x 8mm(x2)	GD7B, GD7E, GD7EE, GD7EN, GD7EV
	85	QYSBSGY3008E	SPECIAL SCREW	3mm x 8mm	
	86	QYSBSGY3008E	SPECIAL SCREW	3mm x 8mm	
	87	GV10110-003A/S/	METAL COVER		
	88	QYSDSG3006M	TAP SCREW	3mm x 6mm(x2)	
	89	QYSBSGY3008E	SPECIAL SCREW	3mm x 8mm(x6)	
	90	GV20261-001A	CD FITTING (1)		
	91	GV20261-002A	CD FITTING (2)		
	92	GV20261-003A	CD FITTING (3)		
	93	GV20261-004A	CD FITTING (4)		
	94	GV20261-005A	CD FITTING (5)		
	95	GV30531-002A	PRESET KNOB		
	96	GV30604-002A	SND.MODE KNOB		
	97	GV30540-001A	FRONT LENS		
	98	GV30533-002A	VOLUME KNOB		
	99	GV30589-006A	RATING LABEL		GD7A
	99	GV30589-004A	RATING LABEL		GD7EE
	99	GV30589-012A	RATING LABEL		GD7B, GD7E, GD7EN, GD7EV
	100	LV41843-002A	LASER CAUTION		
	101	GV30349-003A	SPACER		
	102	VYSH101-009	SPACER		
△	103	QQT0424-001	POWER TRANSF	T 001	
△	104	QMPG150-244-JC	POWER CORD(AST)	2.44m BLACK	GD7A
△	104	QMPN150-200-JC	POWER CORD(EU)	2m BLACK	GD7B
△	104	QMPK210-205-JN	POWER CORD(EU)	2.05m BLACK	GD7E, GD7EE, GD7EN, GD7EV
	105	QAR0317-001	FAN		
	106	QUQH10-2632AJ	CARD WIRE		
	107	QUQH10-0611AJ	CARD WIRE		
	108	QUQH12-0922BJ	CARD WIRE		
	109	QUQH12-1016BJ	CARD WIRE		
	110	QUQH12-1109AJ	CARD WIRE	FC 1	
	111	QUQH12-2315BJ	CARD WIRE		
	112	QUQH12-1520BJ	CARD WIRE		
	113	QUQH12-1811BJ	CARD WIRE		
	114	QUQH12-2110BJ	CARD WIRE		
△	115	QMF51W2-2R0-J8	FUSE	F 001 2A AC250V	
△	116	QMF51W2-5R0-J8	FUSE	F 101 5A AC250V	
△	117	QMF51W2-5R0-J8	FUSE	F 102 5A AC250V	
△	118	QMF51W2-3R15-J8	FUSE	F 103 3.15A AC250V	
△	119	QMF51W2-1R0-J8	FUSE	F 104 1A AC250V	
	120	LV30225-011A	SPACER		GD7B, GD7E, GD7EE, GD7EN, GD7EV
	121	LV30225-011A	SPACER		GD7B, GD7E, GD7EE, GD7EN, GD7EV
	122	QYSBSGY3008E	SPECIAL SCREW	3mm x 8mm(x2)	GD7A

Speaker assembly and parts list

Block No. M 2 M M



Speaker

Block No. M 2 M M

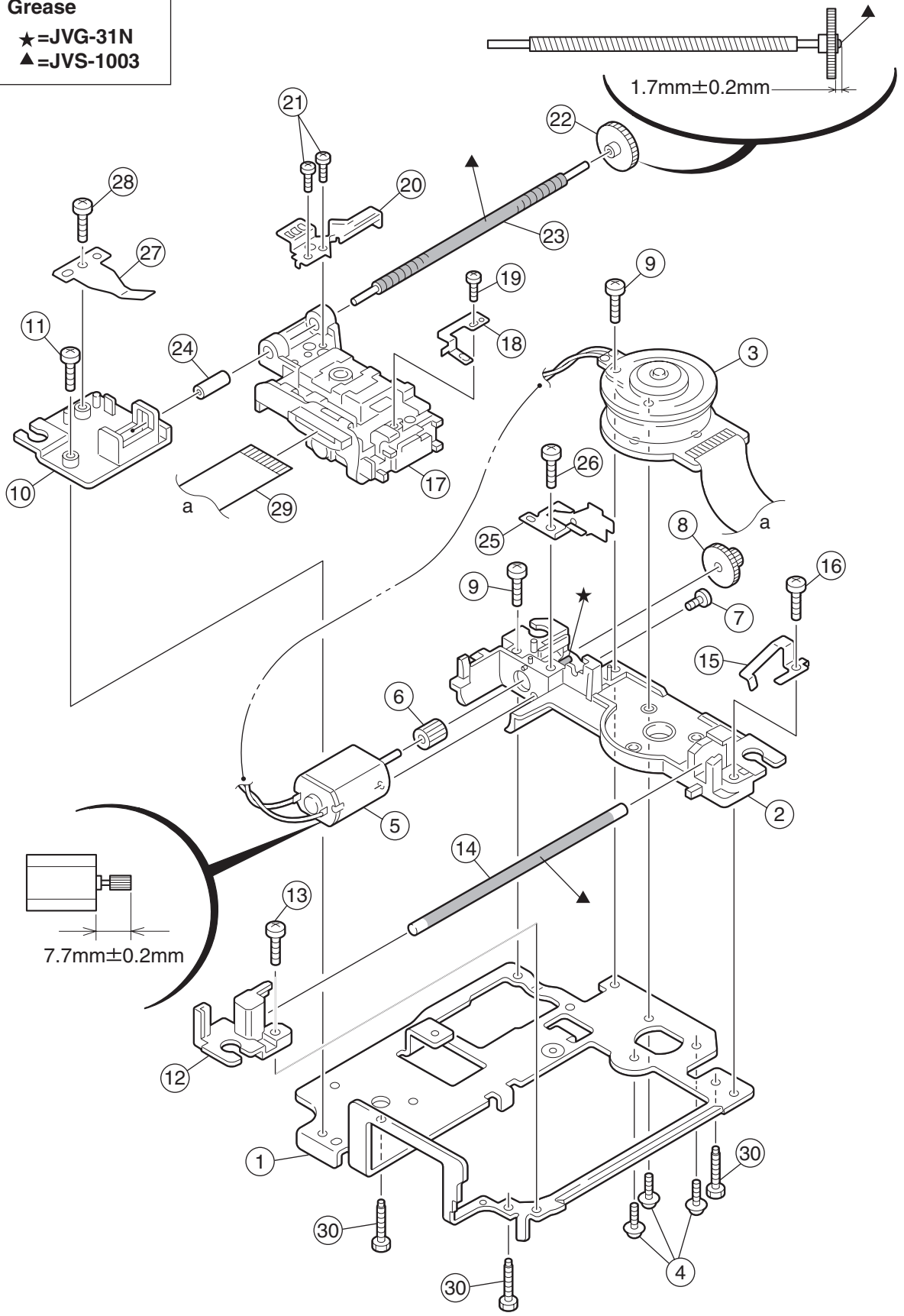
△ Symbol No.	Part No.	Part Name	Description	Local
1	300-J0XGD71200	TOP WOOFER	(x2)	
2	300-J0XGD71600	SUB WOOFER	(x2)	
3	300-J1XGD71200	BOTTOM WOOFER	(x2)	
4	302-J0XGX70500	TWEETER	(x2)	
5	411-B140100P1	SCREW	(x4)	
6	411-P140120P1	SCREW	(x16)	
7	411-B74530AB1	SCREW	(x14)	
8	411-B74516AB1	SCREW	(x2)	
9	411-B84020AB1	SCREW	(x8)	
10	411-N54020AB1	SCREW	(x8)	
11	441-802103-00	LEG CUSHION	(x8)	
12	600-LXGD7E-00	SPEC LABEL		GD7B, GD7E, GD7EN, GD7EV
12	600-RXGD7E-00	SPEC LABEL		GD7B, GD7E, GD7EN, GD7EV
12	600-LGD7EE-00	SPEC LABEL		GD7EE
12	600-RGD7EE-00	SPEC LABEL		GD7EE
12	600-LGD7US-00	SPEC LABEL		GD7A
12	600-RGD7US-00	SPEC LABEL		GD7A

DVD mechanism assembly and parts list

Block No. M J M M

FXL-D52-1M

Grease
 ★=JVG-31N
 ▲=JVS-1003



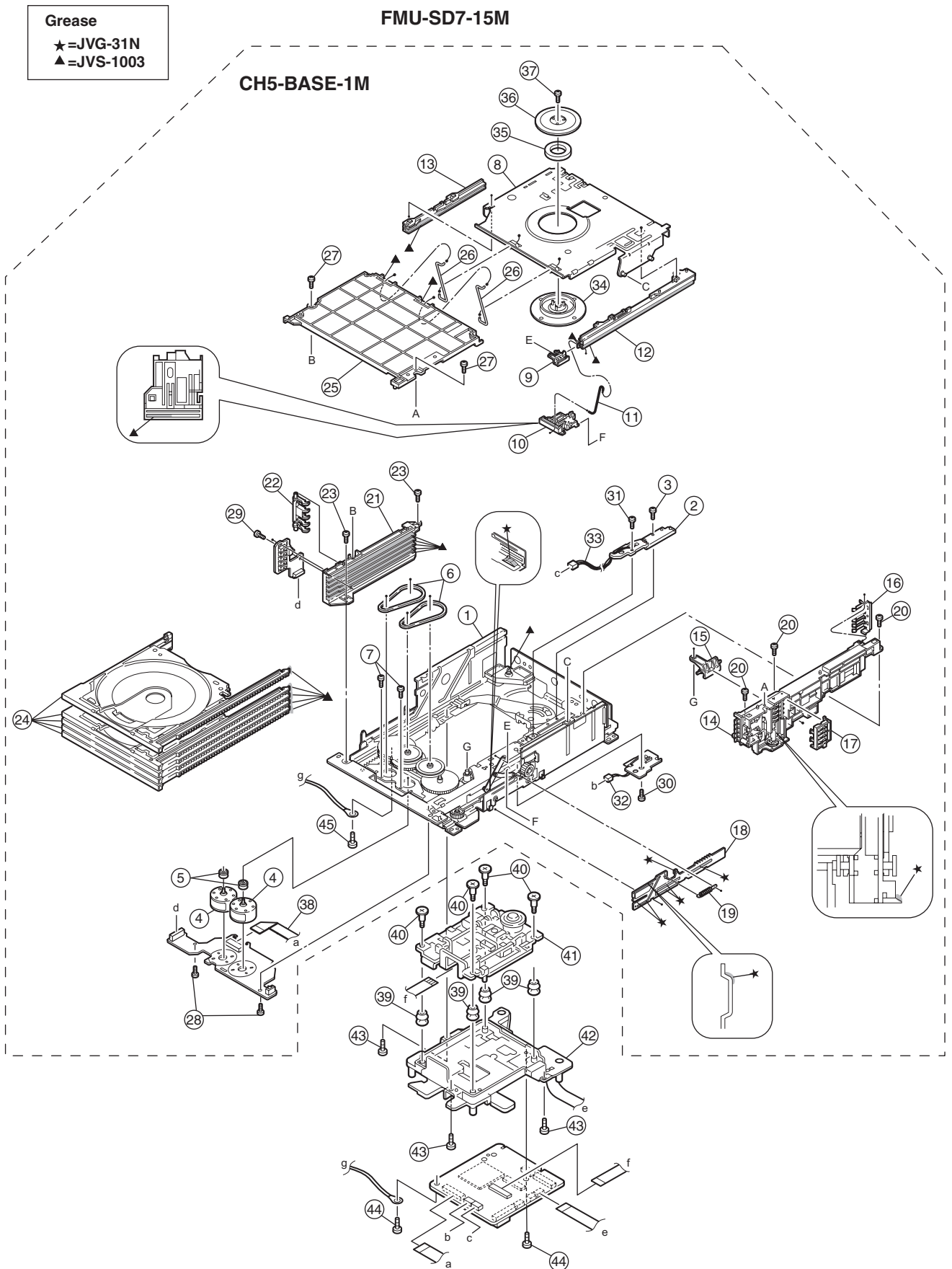
DVD mechanism

Block No. [M][J][M][M]

△	Symbol No.	Part No.	Part Name	Description	Local
	1	LV10751-001A	TM CHASSIS		
	2	LV10752-003A	SF MOTOR BASE		
	3	QAR0308-001	SPINDLE MOTOR		
	4	LV43461-001A	SPECIAL SCREW	(x3)	
	5	QAR0144-003	MOTOR		
	6	VKS5557-001	F.M. GEAR		
	7	QYSPST2030M	SCREW	M2 x 3mm	
	8	LV33985-001A	MIDDLE GEAR		
	9	QYSDST2008Z	TAP SCREW	M2 x 8mm(x2)	
	10	LV33989-001A	S.SHAFT HOLDER		
	11	QYSDST2008Z	TAP SCREW	M2 x 8mm	
	12	LV33990-001A	G.SHAFT HOLDER		
	13	QYSDST2008Z	TAP SCREW	M2 x 8mm	
	14	LV43291-002A	GUIDE SHAFT		
	15	LV33991-001A	ADJUST SPRING		
	16	QYSPST2008Z	TAP SCREW	M2 x 8mm	
	17	QAL0507-001	PICK UP		
	18	LV33983-001A	PS SPRING		
	19	QYSPSFT1730Z	TAP SCREW	M1.7 x 3mm	
	20	LV33984-002A	RACK ARM		
	21	QYSPSFT1730Z	TAP SCREW	M1.7 x 3mm(x2)	
	22	LV33986-001A	S.SHAFT GEAR		
	23	LV43293-001A	SCREW SHAFT		
	24	LV43290-001A	S.SHAFT COLLOR		
	25	LV33987-001A	GEAR HOLDER		
	26	QYSPSFT2040Z	TAP SCREW	M2 x 4mm	
	27	LV33988-001A	SS ADJ SPRING		
	28	QYSDST2008Z	TAP SCREW	M2 x 8mm	
	29	LV43702-001A	PICK FFC		
	30	LV43292-002A	ADJUST SCREW	(x3)	

DVD changer mechanism assembly and parts list

Block No. M K M M



DVD changer mechanism

Block No. [M][K][M][M]

△	Symbol No.	Part No.	Part Name	Description	Local
	1	LV10913-001A	LOADER ASSY		
	2	QVY0027-B14	S V RESISTOR		
	3	QYSDST2004Z	SCREW	2mm x 4mm	
	4	QAR0164-001	MOTOR	(x2)	
	5	LV42340-001A	MOTOR PULLEY	(x2)	
	6	LV41431-002A	BELT	(x2)	
	7	QYSPSPU1725N	SCREW	1.7mm x 2.5mm(x2)	
	8	LV33965-004A	LIFTER ASSY		
	9	LV33963-001A	HOOK		
	10	LV33964-002A	HOOK STOPPER		
	11	LV43285-001A	ROD (L)		
	12	LV21408-002A	RAIL(R)		
	13	LV21409-002A	RAIL(L)		
	14	LV21520-004A	SIDE(R) ASSY		
	15	LV33974-001A	SELECT LEVER		
	16	LV33977-002A	CLICK SPRING		
	17	LV33975-001A	GEAR COVER		
	18	LV33976-001A	ELEVATOR CAM		
	19	LV43287-001A	ELEVATOR SPRING		
	20	QYSDST2605Z	SCREW	2.6mm x 5mm(x3)	
	21	LV10749-002A	SIDE(L)		
	22	LV33980-001A	OPEN DET.LEVER		
	23	QYSDST2605Z	SCREW	2.6mm x 5mm(x2)	
	24	LV10746-003A	TRAY ASSY	(x5)	
	25	LV10750-003A	TOP COVER		
	26	LV43289-002A	ROD	(x2)	
	27	QYSDSF2608Z	SCREW	2.6mm x 8mm(x2)	
	28	QYSDST2605Z	SCREW	2.6mm x 5mm(x2)	
	29	QYSDSF2608Z	SCREW	2.6mm x 8mm	
	30	QYSDST2605Z	SCREW	2.6mm x 5mm	
	31	QYSDST2004Z	SCREW	2mm x 4mm	
	32	WJM0330-002A	E-SI C WIRE C-F		
	33	WJM0331-001A	E-SI C WIRE C-F		
	34	LV32417-001A	CLAMPER		
	35	LV42930-003A	P.C.MAGNET		
	36	LV33992-001A	DVD YOKE		
	37	LV41741-001A	SPECIAL SCREW		
	38	QUQ110-1508BJ	FFC WIRE		
	39	LV41659-002A	INSULATOR	(x4)	
	40	LV43245-001A	SPECIAL SCREW	(x4)	
	41	-----	TRAVERSE MECHANISM		
	42	LV10872-002A	DVD TM BASE 3		
	43	QYSDST2605Z	SCREW	2.6mm x 5mm(x3)	
	44	QYSDSF2606Z	SCREW	2.6mm x 6mm(x2)	
	45	QYSDST2605Z	SCREW	2.6mm x 5mm	

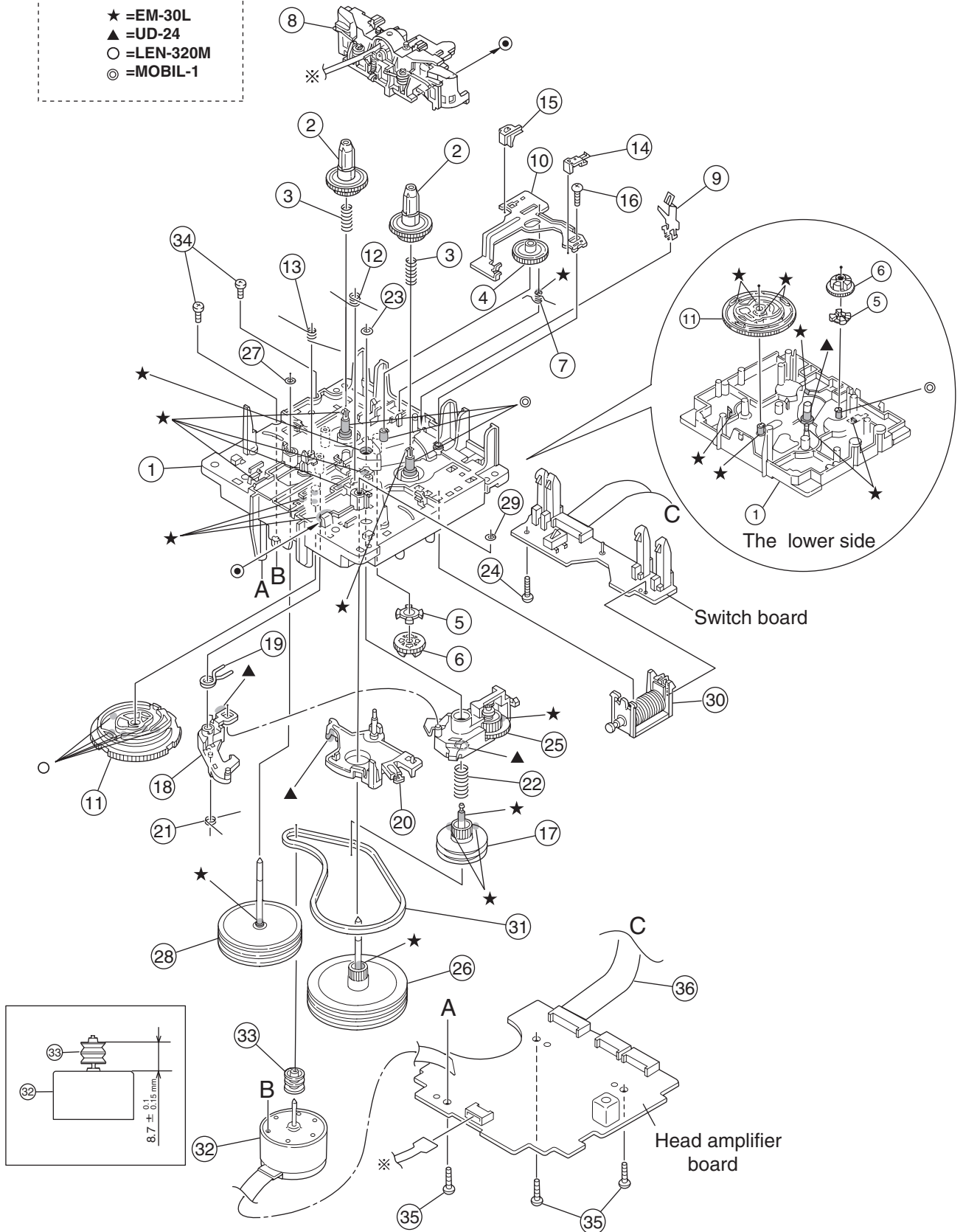
Cassette mechanism assembly and parts list

Block No. M P M M

Grease

- ★ =EM-30L
- ▲ =UD-24
- =LEN-320M
- ◎ =MOBIL-1

SLC-S302M



Cassette mechanism

Block No. [M][P][M][M]

△	Symbol No.	Part No.	Part Name	Description	Local
	1	VKS1165-00N	CHASSIS B. ASSY		
	2	VKS2274-002	REEL GEAR	(x2)	
	3	VKW5286-002	B.T. SPRING	(x2)	
	4	VKS5559-001	PLAY IDLE GEAR		
	5	VKS5595-002	BLIND		
	6	VKS5560-003	FR IDLE GEAR		
	7	LV42013-001A	EARTH SPRING		
	8	SLC-RP4SVM	HEAD MOUNT ASSY		
	9	VKY3149-002	CASSETTE SP.		
	10	LV31786-002A	PLAY LEVER		
	11	VKS1166-003	CONTROL CAM		
	12	VKW5279-002	HEAD BASE SP(R)		
	13	VKW5280-001	HEAD BASE SP(L)		
	14	LV41584-001A	BRAKE(R)		
	15	LV41585-003A	BRAKE(L)		
	16	QYSBSF2005Z	SCREW	2mm x 5mm	
	17	VKS5603-00G	MAIN PULLEY ASS		
	18	VKS3785-001MM	FR ARM		
	19	VKW5284-002	SWING SPRING		
	20	VKS2278-003	TRIGGER ARM		
	21	VKW5301-001	FR SPRING		
	22	VKW5266-001	ELEVATOR SPRING		
	23	WDL214025	WASHER		
	24	QYSBSF2005Z	SCREW	2mm x 5mm	
	25	VKS3786-00G	CLUTCH ASSY		
	26	VKF3205-00B	F.WHEEL ASSY(R)		
	27	WDL183425	SLIT WASHER		
	28	VKF3207-00C	F.WHEEL ASSY(L)		
	29	WDL173525-6	SLIT WASHER		
	30	VKZ3174-00B	DC SOLENOID		
	31	LV42836-001A	CAPSTAN BELT		
	32	MSI-5U2LWA	D.C.MOTOR		
	33	VKR4761-003	MOTOR PULLEY		
	34	QYSPSP2604Z	SCREW	2.6mm x 4mm(x2)	
	35	QYSBSF2608Z	TAPPING SCREW	2.6mm x 8mm(x3)	
	36	QUQH12-0906BF	WIRE		

Electrical parts list

Power board

Block No. [0][1][0][0]					△ Symbol No.	Part No.	Part Name	Description	Local
△ Symbol No.	Part No.	Part Name	Description	Local					
					D260	1SS133-T2	DIODE		
					D261	1SS133-T2	DIODE		
					D560	1SS133-T2	DIODE		GD7B, GD7E, GD7EE, GD7EN, GD7EV
△ IC200	KIA317PI	IC							
	IC560	LC72723	IC(RDS)	GD7B, GD7E, GD7EE, GD7EN, GD7EV	△ C200	QCZ9105-472	C CAPACITOR	4700pF 250V M	
	Q200	KTC1027/OY/-T	TRANSISTOR		C201	QETN1CM-477Z	E CAPACITOR	470uF 16V M	
	Q201	KTC3199/GL/-T	TRANSISTOR		C202	QETN1CM-476Z	E CAPACITOR	47uF 16V M	GD7A GD7B, GD7E, GD7EE, GD7EN, GD7EV
	Q205	KTC3199/GL/-T	TRANSISTOR		C202	QETN1EM-476Z	E CAPACITOR	47uF 25V M	
△ Q206	KTC2026/OY/	TRANSISTOR			C203	QFLC1HJ-472Z	M CAPACITOR	4700pF 50V J	
	Q210	KRC102M-T	DIGI TRANSISTOR		C204	QETN0JM-477Z	E CAPACITOR	470uF 6.3V M	GD7A GD7B, GD7E, GD7EE, GD7EN, GD7EV
	Q212	KTC3203/OY/-T	TRANSISTOR		C204	QETN1AM-477Z	E CAPACITOR	470uF 10V M	GD7A GD7B, GD7E, GD7EE, GD7EN, GD7EV
	Q215	KTC3200/GL/-T	TRANSISTOR	GD7B, GD7E, GD7EE, GD7EN, GD7EV	C204	QETN1AM-477Z	E CAPACITOR	470uF 10V M	
	Q216	KTC3199/GL/-T	TRANSISTOR		C205	QFLC1HJ-104Z	M CAPACITOR	0.1uF 50V J	
	Q220	KTC3199/GL/-T	TRANSISTOR		C207	QFLC2AJ-103Z	M CAPACITOR	0.01uF 100V J	
	Q221	KTC3199/GL/-T	TRANSISTOR		C208	QFLC2AJ-103Z	M CAPACITOR	0.01uF 100V J	
	Q222	KTA1267/YG/-T	TRANSISTOR		C209	QETM1EM-828	E CAPACITOR	8200uF 25V M	
	Q223	2SC3576-JVC-T	TRANSISTOR		C210	EETB1CM-828JC	E CAPACITOR		
	Q231	2SC3576-JVC-T	TRANSISTOR		C212	EETB1HM-228JC	E CAPACITOR		
	Q232	2SC3576-JVC-T	TRANSISTOR		C213	EETB1HM-228JC	E CAPACITOR		
	Q233	2SC3576-JVC-T	TRANSISTOR		C214	QFLC2AJ-103Z	M CAPACITOR	0.01uF 100V J	
	Q234	KRA111M-T	DIGI TRANSISTOR		C215	QFLC2AJ-103Z	M CAPACITOR	0.01uF 100V J	
	D200	1SS119-041-T2	DIODE	GD7A GD7B, GD7E, GD7EE, GD7EN, GD7EV	C216	QFKC2EK-104Z	MM CAPACITOR	0.1uF 250V K	
	D200	1SS133-T2	DIODE		C217	QEZ0621-478	E CAPACITOR	4700uF	
△ D201	1N4003S-T5	SI DIODE			C218	QEZ0621-478	E CAPACITOR	4700uF	
	D202	MTZJ6.8C-T2	Z DIODE		C219	QFKC2EK-103Z	MM CAPACITOR	0.01uF 250V K	
△ D203	1N4003S-T5	SI DIODE			C220	QFKC2EK-104Z	MM CAPACITOR	0.1uF 250V K	
△ D204	1N5402M-20	DIODE			C221	QFKC2EK-103Z	MM CAPACITOR	0.01uF 250V K	
△ D205	1N5402M-20	DIODE			C225	QETN1HM-476Z	E CAPACITOR	47uF 50V M	
△ D206	1N5402M-20	DIODE			C227	QETN1HM-106Z	E CAPACITOR	10uF 50V M	
△ D207	1N5402M-20	DIODE			C228	QETN2AM-476Z	E CAPACITOR	47uF 100V M	
△ D208	1N5402M-20	DIODE			C229	QETN1HM-226Z	E CAPACITOR	22uF 50V M	
△ D209	1N5402M-20	DIODE			C230	QDYB1CM-103Y	C CAPACITOR	0.01uF 16V M	
△ D210	1N5402M-20	DIODE			C231	QETN1HM-226Z	E CAPACITOR	22uF 50V M	
△ D211	1N5402M-20	DIODE			C232	QETN1EM-476Z	E CAPACITOR	47uF 25V M	
△ D212	1N5402M-20	DIODE			C234	QETN1EM-107Z	E CAPACITOR	100uF 25V M	GD7B, GD7E, GD7EE, GD7EN, GD7EV
△ D213	1N5402M-20	DIODE							
△ D214	1N5402M-20	DIODE							
△ D215	1N5402M-20	DIODE							
	D221	MTZJ6.8B-T2	Z DIODE						GD7B, GD7E, GD7EE, GD7EN, GD7EV
	D224	MTZJ18B-T2	Z DIODE						
	D225	MTZJ20B-T2	Z DIODE						
	D226	MTZJ5.1B-T2	Z DIODE						
	D227	1SS133-T2	DIODE						
	D228	1SS133-T2	DIODE						
	D229	1SS133-T2	DIODE						
	D230	1SS133-T2	DIODE						
	D231	1SS119-041-T2	DIODE	GD7A GD7B, GD7E, GD7EE, GD7EN, GD7EV					
	D231	1SS133-T2	DIODE						
	D234	MTZJ12C-T2	Z DIODE						
	D235	MTZJ15C-T2	Z DIODE						
	D237	MTZJ13B-T2	Z DIODE						
	D240	1SS133-T2	DIODE						
					C235	QFLC1HJ-472Z	M CAPACITOR	4700pF 50V J	GD7B, GD7E, GD7EE, GD7EN, GD7EV
					C236	QETN1HM-106Z	E CAPACITOR	10uF 50V M	GD7B, GD7E, GD7EE, GD7EN, GD7EV
					C237	QETN1HM-106Z	E CAPACITOR	10uF 50V M	
					C238	QETN1HM-106Z	E CAPACITOR	10uF 50V M	
					C240	QETN1HM-106Z	E CAPACITOR	10uF 50V M	
					C241	QETN1EM-476Z	E CAPACITOR	47uF 25V M	
					C260	QFLC1HJ-332Z	M CAPACITOR	3300pF 50V J	
					C261	QFLC1HJ-332Z	M CAPACITOR	3300pF 50V J	
					C262	QFLC1HJ-104Z	M CAPACITOR	0.1uF 50V J	
					C263	QFLC1HJ-104Z	M CAPACITOR	0.1uF 50V J	
					C264	QFLC1HJ-332Z	M CAPACITOR	3300pF 50V J	
					C265	QFLC1HJ-332Z	M CAPACITOR	3300pF 50V J	
					C266	QFLC1HJ-104Z	M CAPACITOR	0.1uF 50V J	
					C267	QFLC1HJ-104Z	M CAPACITOR	0.1uF 50V J	
					C268	QDGB1HK-102Y	C CAPACITOR	1000pF 50V K	
					C269	QDGB1HK-102Y	C CAPACITOR	1000pF 50V K	
					C270	QDGB1HK-102Y	C CAPACITOR	1000pF 50V K	

△ Symbol No.	Part No.	Part Name	Description	Local	△ Symbol No.	Part No.	Part Name	Description	Local
C271	QDGB1HK-102Y	C CAPACITOR	1000pF 50V K		△ R261	QRL01DJ-181X	OMF RESISTOR	180Ω 1W J	
C560	QETN1HM-106Z	E CAPACITOR	10uF 50V M	GD7B, GD7E, GD7EE, GD7EN, GD7EV	△ R262	QRL01DJ-181X	OMF RESISTOR	180Ω 1W J	
C561	QCBB1HK-331Y	C CAPACITOR	330pF 50V K	GD7B, GD7E, GD7EE, GD7EN, GD7EV	△ R263	QRL01DJ-181X	OMF RESISTOR	180Ω 1W J	
C562	QFLC1HJ-104Z	M CAPACITOR	0.1uF 50V J	GD7B, GD7E, GD7EE, GD7EN, GD7EV	△ R264	QRL01DJ-181X	OMF RESISTOR	180Ω 1W J	
C563	QCBB1HK-561Y	C CAPACITOR	560pF 50V K	GD7B, GD7E, GD7EE, GD7EN, GD7EV	△ R265	QRL01DJ-181X	OMF RESISTOR	180Ω 1W J	
C564	QCSB1HJ-220Y	C CAPACITOR	22pF 50V J	GD7B, GD7E, GD7EE, GD7EN, GD7EV	△ R266	QRZ9006-4R7X	F.RESISTOR	4.7Ω 1/4W J	
C565	QCSB1HJ-220Y	C CAPACITOR	22pF 50V J	GD7B, GD7E, GD7EE, GD7EN, GD7EV	△ R267	QRZ9006-4R7X	F.RESISTOR	4.7Ω 1/4W J	
C566	QFLC1HJ-104Z	M CAPACITOR	0.1uF 50V J	GD7B, GD7E, GD7EE, GD7EN, GD7EV	△ R268	QRZ9006-4R7X	F.RESISTOR	4.7Ω 1/4W J	
R202	QRE141J-332Y	C RESISTOR	3.3kΩ 1/4W J		△ R269	QRZ9006-4R7X	F.RESISTOR	4.7Ω 1/4W J	
R203	QRE141J-102Y	C RESISTOR	1kΩ 1/4W J		△ R275	QRZ9006-4R7X	F.RESISTOR	4.7Ω 1/4W J	
△ R204	QRK126J-470X	UNF C RESISTOR	47Ω 1/2W J		△ R277	QRZ9006-4R7X	F.RESISTOR	4.7Ω 1/4W J	
△ R205	QRK126J-470X	UNF C RESISTOR	47Ω 1/2W J		R560	QRE141J-103Y	C RESISTOR	10kΩ 1/4W J	GD7B, GD7E, GD7EE, GD7EN, GD7EV
R206	QRE141J-104Y	C RESISTOR	100kΩ 1/4W J		R561	QRE141J-102Y	C RESISTOR	1kΩ 1/4W J	GD7B, GD7E, GD7EE, GD7EN, GD7EV
R207	QRE141J-104Y	C RESISTOR	100kΩ 1/4W J		R562	QRE141J-102Y	C RESISTOR	1kΩ 1/4W J	GD7B, GD7E, GD7EE, GD7EN, GD7EV
R208	QRE141J-104Y	C RESISTOR	100kΩ 1/4W J		L250	QQL231K-470Y	COIL	47uH K	
R209	QRE141J-104Y	C RESISTOR	100kΩ 1/4W J		L560	QQL231K-101Y	COIL	100uH K	GD7B, GD7E, GD7EE, GD7EN, GD7EV
R211	QRE141J-104Y	C RESISTOR	100kΩ 1/4W J		△ T002	QQT0253-002	POWER TRANSF		
△ R212	QRJ146J-470X	UNF C RESISTOR	47Ω 1/4W J		CN200	QGA7901C1-02	CONNECTOR	W-B (1-2)	
R213	QRE141J-752Y	C RESISTOR	7.5kΩ 1/4W J		CN201	QGD2504C1-04Z	CONNECTOR	(1-4)	
R214	QRE141J-104Y	C RESISTOR	100kΩ 1/4W J		CN202	QGA2501C1-03	CONNECTOR	W-B (1-3)	
R220	QRE141J-271Y	C RESISTOR	270Ω 1/4W J		CN205	QGD2504C1-03Z	CONNECTOR	(1-3)	
R221	QRE141J-100Y	C RESISTOR	10Ω 1/4W J		CN206	QGA2501C1-10	CONNECTOR	W-B (1-10)	
R223	QRE141J-332Y	C RESISTOR	3.3kΩ 1/4W J		CN207	QGB2510K1-13	CONNECTOR	B-B (1-13)	
R224	QRE141J-242Y	C RESISTOR	2.4kΩ 1/4W J		CN208	QGA2501C1-11	CONNECTOR	W-B (1-11)	
△ R225	QRZ9006-4R7X	F.RESISTOR	4.7Ω 1/4W J		CN212	QGD2504C1-03Z	CONNECTOR	(1-3)	
R226	QRE141J-102Y	C RESISTOR	1kΩ 1/4W J		CN213	QGD2504C1-04Z	CONNECTOR	(1-4)	
R227	QRE141J-103Y	C RESISTOR	10kΩ 1/4W J		CN214	QGA3901C1-08	CONNECTOR	W-B (1-8)	
R228	QRE141J-473Y	C RESISTOR	47kΩ 1/4W J		CN513	QGB2510K1-05	CONNECTOR	B-B (1-5)	GD7B, GD7E, GD7EE, GD7EN, GD7EV
R229	QRE141J-153Y	C RESISTOR	15kΩ 1/4W J		EP200	QNZ0136-001Z	EARTH PLATE		
R230	QRE141J-153Y	C RESISTOR	15kΩ 1/4W J		EP201	QNZ0136-001Z	EARTH PLATE		
R231	QRE141J-223Y	C RESISTOR	22kΩ 1/4W J		FT200	QNG0003-001Z	FUSE CLIP		
R232	QRE141J-223Y	C RESISTOR	22kΩ 1/4W J		FT201	QNG0003-001Z	FUSE CLIP		
R233	QRE141J-102Y	C RESISTOR	1kΩ 1/4W J	GD7B, GD7E, GD7EE, GD7EN, GD7EV	FT220	QNG0003-001Z	FUSE CLIP		
R234	QRE141J-102Y	C RESISTOR	1kΩ 1/4W J		FT221	QNG0003-001Z	FUSE CLIP		
R236	QRE141J-472Y	C RESISTOR	4.7kΩ 1/4W J		FT230	QNG0003-001Z	FUSE CLIP		
R237	QRE141J-472Y	C RESISTOR	4.7kΩ 1/4W J		FT231	QNG0003-001Z	FUSE CLIP		
R238	QRE141J-472Y	C RESISTOR	4.7kΩ 1/4W J		FT240	QNG0003-001Z	FUSE CLIP		
R239	QRE141J-472Y	C RESISTOR	4.7kΩ 1/4W J		FT241	QNG0003-001Z	FUSE CLIP		
R240	QRE141J-103Y	C RESISTOR	10kΩ 1/4W J		FT250	QNG0003-001Z	FUSE CLIP		
R241	QRE141J-104Y	C RESISTOR	100kΩ 1/4W J		FT251	QNG0003-001Z	FUSE CLIP		
R242	QRE141J-103Y	C RESISTOR	10kΩ 1/4W J		FW202	QUM157-20DGZ4	FLAT WIRE		
R243	QRE141J-104Y	C RESISTOR	100kΩ 1/4W J		FW204	QJK015-082614	FLAT WIRE		
R250	QRE141J-472Y	C RESISTOR	4.7kΩ 1/4W J		J200	QNB0193-001	SPK.TERMINAL		
R251	QRE141J-472Y	C RESISTOR	4.7kΩ 1/4W J		PP200	QZW0038-001	WIRE CLAMP		
R252	QRE141J-472Y	C RESISTOR	4.7kΩ 1/4W J		PP201	QZW0038-001	WIRE CLAMP		
R253	QRE141J-472Y	C RESISTOR	4.7kΩ 1/4W J		RY1	QSK0109-001	RELAY		
△ R254	QRL01DJ-471X	OMF RESISTOR	470Ω 1W J		RY2	QSK0109-001	RELAY		
△ R255	QRL01DJ-471X	OMF RESISTOR	470Ω 1W J		△ RY3	QSK0124-001	RELAY		
△ R260	QRL01DJ-181X	OMF RESISTOR	180Ω 1W J		X560	QAX0263-001Z	CRYSTAL	4.332MHz	GD7B, GD7E, GD7EE, GD7EN, GD7EV

Input board

Block No. [0][2][0][0]

△ Symbol No.	Part No.	Part Name	Description	Local
	IC401	LC75342M-X	IC	
	IC442	JCV8011-X	IC	
	IC466	NJM4565M-WE	IC	
	IC467	NJM4565M-WE	IC	
	IC485	NJM4565M-WE	IC	
	IC486	NJM4565M-WE	IC	
	IC526	NJM4565M-WE	IC	
	IC534	CD4066BM-X	IC	
△	IC580	PQ033EF02SZ	REGULATOR IC	
△	IC581	BA33BC0T	REGULATOR IC	
	IC582	KTC3200/GL-T	TRANSISTOR	
	IC801	UPD784217AGF532	IC	
	IC802	BR24L01AF-W-X	IC	
	IC951	GP1UM271XK	IR DETECT UNIT	38kHz
	IC956	HA17558AF-X	IC	GD7A GD7B, GD7E, GD7EE, GD7EN, GD7EV
	IC956	NJM4565M-WE	IC	
	Q100	2SD601A/RS/-X	TRANSISTOR	
	Q101	2SD601A/RS/-X	TRANSISTOR	
	Q442	KTC3199/GL-T	TRANSISTOR	
	Q485	2SD601A/RS/-X	TRANSISTOR	
	Q486	2SD601A/RS/-X	TRANSISTOR	
	Q487	2SD601A/RS/-X	TRANSISTOR	
	Q515	2SD1328/ST/-X	TRANSISTOR	
	Q516	2SD1328/ST/-X	TRANSISTOR	
	Q517	2SD1328/ST/-X	TRANSISTOR	
	Q534	UN2213-X	DIGI TRANSISTOR	
	Q535	UN2213-X	DIGI TRANSISTOR	
	Q540	UN2113-X	TRANSISTOR	
	Q541	2SD1328/ST/-X	TRANSISTOR	
	Q542	2SD1328/ST/-X	TRANSISTOR	
	Q543	2SD1328/ST/-X	TRANSISTOR	
	Q544	2SD1328/ST/-X	TRANSISTOR	
	Q545	UN2113-X	TRANSISTOR	
	Q567	KTA1267/YG-T	TRANSISTOR	
	Q568	UN2211-X	TRANSISTOR	
	Q580	UN2211-X	TRANSISTOR	
	Q581	UN2211-X	TRANSISTOR	
	Q582	UN2211-X	TRANSISTOR	
	Q583	UN2211-X	TRANSISTOR	
	Q584	UN2115-X	D.TRANSISTOR	
	Q585	UN2211-X	TRANSISTOR	
	Q594	2SD601A/RS/-X	TRANSISTOR	
	Q595	UN2215-X	TRANSISTOR	
	Q801	UN2211-X	TRANSISTOR	
	Q802	UN2211-X	TRANSISTOR	
	Q803	UN2115-X	D.TRANSISTOR	
	Q804	UN2111-X	TRANSISTOR	
	Q805	UN2111-X	TRANSISTOR	
	Q900	UN2211-X	TRANSISTOR	
	Q901	UN2211-X	TRANSISTOR	
	Q902	UN2211-X	TRANSISTOR	
	Q903	UN2211-X	TRANSISTOR	
	Q930	UN2211-X	TRANSISTOR	
	D100	1SS133-T2	DIODE	
△	D108	1N4003S-T5	SI DIODE	
	D466	1SS133-T2	DIODE	
	D467	1SS133-T2	DIODE	
	D485	1SS133-T2	DIODE	
	D486	1SS133-T2	DIODE	
	D515	MTZJ3.9B-T2	Z DIODE	
	D516	MTZJ3.9B-T2	Z DIODE	
	D567	1SS133-T2	DIODE	
	D580	MTZJ3.9B-T2	Z DIODE	
△	D581	1N4003S-T5	SI DIODE	
	D583	MTZJ5.6B-T2	Z DIODE	
	D585	MTZJ6.8B-T2	Z DIODE	
	D594	1SS133-T2	DIODE	
	D595	1SS133-T2	DIODE	
	D801	MTZJ5.1B-T2	Z DIODE	

△ Symbol No.	Part No.	Part Name	Description	Local
	D802	1SS133-T2	DIODE	
	D803	1SS133-T2	DIODE	
	D804	1SS133-T2	DIODE	
	D805	1SS133-T2	DIODE	
	D806	1SS133-T2	DIODE	
	D807	1SS133-T2	DIODE	
	D808	1SS133-T2	DIODE	
	D809	MTZJ3.9B-T2	Z DIODE	
	D811	1SS133-T2	DIODE	
	D813	1SS133-T2	DIODE	
	D814	1SS133-T2	DIODE	
	D900	SLR-342VC-T	LED	
	D901	SLR-342VC-T	LED	
	D902	SLA-362LT-T	LED	
	D903	SLA-362LT-T	LED	
	D904	SLA-362LT-T	LED	
	D905	SLA-362LT-T	LED	
	D906	SLA-362LT-T	LED	
	D907	SLA-362LT-T	LED	
	D915	1SS133-T2	DIODE	
	D918	1SS133-T2	DIODE	
	D1003	MTZJ2.4B-T2	Z DIODE	
	C100	QEK1HM-105Z	E CAPACITOR	1uF 50V M
	C101	NCB31HK-681X	C CAPACITOR	680pF 50V K
	C102	NCB31CK-223X	C CAPACITOR	0.022uF 16V K
	C103	NDC31HJ-330X	C CAPACITOR	33pF 50V J
	C104	NCB31HK-182X	C CAPACITOR	1800pF 50V K
	C108	QETN1CM-107Z	E CAPACITOR	100uF 16V M
	C123	NDC31HJ-221X	C CAPACITOR	220pF 50V J
	C124	NDC31HJ-221X	C CAPACITOR	220pF 50V J
	C401	NCB31HK-471X	C CAPACITOR	470pF 50V K
	C402	QETN1EM-107Z	E CAPACITOR	100uF 25V M
	C403	NCB31CK-104X	C CAPACITOR	0.1uF 16V K
	C404	NCB31CK-104X	C CAPACITOR	0.1uF 16V K
	C405	NCB31CK-104X	C CAPACITOR	0.1uF 16V K
	C406	NCB31CK-104X	C CAPACITOR	0.1uF 16V K
	C407	NCB31HK-272X	C CAPACITOR	2700pF 50V K
	C408	NCB31HK-272X	C CAPACITOR	2700pF 50V K
	C409	QTE1H28-106Z	E CAPACITOR	10uF 50V
	C410	QTE1H28-106Z	E CAPACITOR	10uF 50V
	C411	QETN1EM-476Z	E CAPACITOR	47uF 25V M
	C412	QETN1EM-476Z	E CAPACITOR	47uF 25V M
	C413	QETN1HM-106Z	E CAPACITOR	10uF 50V M
	C414	QETN1HM-106Z	E CAPACITOR	10uF 50V M
	C415	QETN1HM-106Z	E CAPACITOR	10uF 50V M
	C416	QETN1HM-106Z	E CAPACITOR	10uF 50V M
	C417	QETN1HM-225Z	E CAPACITOR	2.2uF 50V M
	C418	QETN1HM-225Z	E CAPACITOR	2.2uF 50V M
	C419	QTE1H28-106Z	E CAPACITOR	10uF 50V
	C420	QTE1H28-106Z	E CAPACITOR	10uF 50V
	C421	NCB31HK-471X	C CAPACITOR	470pF 50V K
	C422	NCB31HK-471X	C CAPACITOR	470pF 50V K
	C423	QETN1EM-107Z	E CAPACITOR	100uF 25V M
	C425	NCF21CZ-105X	C CAPACITOR	1uF 16V Z
	C432	NCS31HJ-101X	C CAPACITOR	100pF 50V J
	C433	NCS31HJ-101X	C CAPACITOR	100pF 50V J
	C446	QTE1H28-106Z	E CAPACITOR	10uF 50V
	C447	QTE1H28-106Z	E CAPACITOR	10uF 50V
	C450	QETN1EM-476Z	E CAPACITOR	47uF 25V M
	C451	QETN1HM-106Z	E CAPACITOR	10uF 50V M
	C452	NCB31CK-273X	C CAPACITOR	0.027uF 16V K
	C453	QETN1HM-475Z	E CAPACITOR	4.7uF 50V M
	C454	QETN1HM-475Z	E CAPACITOR	4.7uF 50V M
	C455	QETN1HM-225Z	E CAPACITOR	2.2uF 50V M
	C456	QETN1HM-106Z	E CAPACITOR	10uF 50V M
	C457	QETN1HM-106Z	E CAPACITOR	10uF 50V M
	C458	QETN1HM-106Z	E CAPACITOR	10uF 50V M
	C459	QETN1HM-475Z	E CAPACITOR	4.7uF 50V M
	C460	QETN1HM-106Z	E CAPACITOR	10uF 50V M
	C461	QETN1HM-474Z	E CAPACITOR	0.47uF 50V M
	C462	QETN1HM-224Z	E CAPACITOR	0.22uF 50V M
	C463	QETN1EM-476Z	E CAPACITOR	47uF 25V M
	C464	QETN1HM-106Z	E CAPACITOR	10uF 50V M
	C466	QETN1HM-475Z	E CAPACITOR	4.7uF 50V M
	C467	QETN1HM-475Z	E CAPACITOR	4.7uF 50V M
	C468	NCB31CK-224X	C CAPACITOR	0.22uF 16V K
	C469	NCB31CK-473X	C CAPACITOR	0.047uF 16V K

△ Symbol No.	Part No.	Part Name	Description	Local	△ Symbol No.	Part No.	Part Name	Description	Local
C470	NCB31HK-822X	C CAPACITOR	8200pF 50V K		C921	QEKC1AM-107Z	E CAPACITOR	100uF 10V M	
C471	QETN1HM-475Z	E CAPACITOR	4.7uF 50V M		C923	NCB31HK-222X	C CAPACITOR	2200pF 50V K	
C472	QETN1HM-475Z	E CAPACITOR	4.7uF 50V M		C928	NCB31HK-221X	C CAPACITOR	220pF 50V K	
C473	NCB31CK-224X	C CAPACITOR	0.22uF 16V K		C929	NCB31HK-221X	C CAPACITOR	220pF 50V K	
C474	NCB31CK-273X	C CAPACITOR	0.027uF 16V K		C960	QEKC1HM-475Z	E CAPACITOR	4.7uF 50V M	
C475	NCB31HK-222X	C CAPACITOR	2200pF 50V K		C961	QEKC1HM-475Z	E CAPACITOR	4.7uF 50V M	
C476	NCB31CK-153X	C CAPACITOR	0.015uF 16V K		C962	QEKC1HM-475Z	E CAPACITOR	4.7uF 50V M	
C477	QETN1CM-107Z	E CAPACITOR	100uF 16V M		C963	QEKC1HM-475Z	E CAPACITOR	4.7uF 50V M	
C485	NCB31CK-473X	C CAPACITOR	0.047uF 16V K		C964	QER61AM-227Z	E CAPACITOR	220uF 10V M	
C486	NCB31CK-823X	C CAPACITOR	0.082uF 16V K		C1001	QDGB1HK-102Y	C CAPACITOR	1000pF 50V K	
C487	NCB31CK-104X	C CAPACITOR	0.1uF 16V K		C1002	QDGB1HK-102Y	C CAPACITOR	1000pF 50V K	
C488	NCB31CK-104X	C CAPACITOR	0.1uF 16V K		C1003	QDXB1CM-222Y	C CAPACITOR	2200pF 16V M	
C489	QETN1EM-476Z	E CAPACITOR	47uF 25V M		C1004	QDGB1HK-102Y	C CAPACITOR	1000pF 50V K	
C490	QETN1HM-105Z	E CAPACITOR	1uF 50V M		C1005	QDGB1HK-102Y	C CAPACITOR	1000pF 50V K	
C491	QETN1EM-476Z	E CAPACITOR	47uF 25V M		C1006	QDGB1HK-102Y	C CAPACITOR	1000pF 50V K	
C492	QETN1EM-476Z	E CAPACITOR	47uF 25V M		C1999	QCZ0202-155Z	C CAPACITOR	1.5uF 25V Z	
C493	NDC31HJ-101X	C CAPACITOR	100pF 50V J						GD7B,
C494	QETN1HM-225Z	E CAPACITOR	2.2uF 50V M						GD7E,
C495	QETN1HM-476Z	E CAPACITOR	47uF 50V M		C2999	QCZ0202-155Z	C CAPACITOR		GD7EE,
C496	QETN1EM-476Z	E CAPACITOR	47uF 25V M						GD7EN,
C497	QETN1CM-227Z	E CAPACITOR	220uF 16V M						GD7EV
C498	QETN1EM-476Z	E CAPACITOR	47uF 25V M						
C499	NCB31HK-272X	C CAPACITOR	2700pF 50V K		R100	NRSA63J-104X	MG RESISTOR	100kΩ 1/16W J	
C526	QTE1V06-106Z	E CAPACITOR	10uF 35V		R101	NRSA63J-220X	MG RESISTOR	22Ω 1/16W J	
C527	QTE1V06-106Z	E CAPACITOR	10uF 35V		R102	NRSA63J-225X	MG RESISTOR	2.2MΩ 1/16W J	
C528	QFLC1HJ-153Z	M CAPACITOR	0.015uF 50V J		R103	NRSA63J-473X	MG RESISTOR	47kΩ 1/16W J	
C529	QFLC1HJ-153Z	M CAPACITOR	0.015uF 50V J		R123	NRSA63J-221X	MG RESISTOR	220Ω 1/16W J	
C530	QFLC1HJ-153Z	M CAPACITOR	0.015uF 50V J		R124	NRSA63J-471X	MG RESISTOR	470Ω 1/16W J	
C531	QFLC1HJ-153Z	M CAPACITOR	0.015uF 50V J		R401	NRSA63J-102X	MG RESISTOR	1kΩ 1/16W J	
C532	QTE1V06-106Z	E CAPACITOR	10uF 35V		R402	NRSA63J-102X	MG RESISTOR	1kΩ 1/16W J	
C533	QTE1V06-106Z	E CAPACITOR	10uF 35V		R403	NRSA63J-102X	MG RESISTOR	1kΩ 1/16W J	
C534	QETN1EM-476Z	E CAPACITOR	47uF 25V M		R404	NRSA63J-362X	MG RESISTOR	3.6kΩ 1/16W J	
C536	QETN1CM-107Z	E CAPACITOR	100uF 16V M		R405	NRSA63J-362X	MG RESISTOR	3.6kΩ 1/16W J	
C540	QETN1HM-106Z	E CAPACITOR	10uF 50V M		R406	NRSA63J-203X	MG RESISTOR	20kΩ 1/16W J	
C543	NCF21CZ-105X	C CAPACITOR	1uF 16V Z		R407	NRSA63J-203X	MG RESISTOR	20kΩ 1/16W J	
C544	NCF21CZ-105X	C CAPACITOR	1uF 16V Z		R408	NRSA63J-153X	MG RESISTOR	15kΩ 1/16W J	
C545	NCF21CZ-105X	C CAPACITOR	1uF 16V Z		R409	NRSA63J-153X	MG RESISTOR	15kΩ 1/16W J	
C546	NCF21CZ-105X	C CAPACITOR	1uF 16V Z		R412	NRSA63J-104X	MG RESISTOR	100kΩ 1/16W J	
C549	NDC31HJ-470X	C CAPACITOR	47pF 50V J		R413	NRSA63J-104X	MG RESISTOR	100kΩ 1/16W J	
C550	NDC31HJ-470X	C CAPACITOR	47pF 50V J		R414	NRSA63J-104X	MG RESISTOR	100kΩ 1/16W J	
C553	QETN1HM-105Z	E CAPACITOR	1uF 50V M		R415	NRSA63J-104X	MG RESISTOR	100kΩ 1/16W J	
C555	QTE1H28-106Z	E CAPACITOR	10uF 50V		R425	NRSA63J-303X	MG RESISTOR	30kΩ 1/16W J	
C556	QTE1H28-106Z	E CAPACITOR	10uF 50V		R426	NRSA63J-303X	MG RESISTOR	30kΩ 1/16W J	
C567	NCB31HK-221X	C CAPACITOR	220pF 50V K		R442	NRSA63J-472X	MG RESISTOR	4.7kΩ 1/16W J	
C568	NCB31HK-221X	C CAPACITOR	220pF 50V K		R443	NRSA63J-472X	MG RESISTOR	4.7kΩ 1/16W J	
C569	QFLC1HJ-102Z	M CAPACITOR	1000pF 50V J		R444	NRSA63J-622X	MG RESISTOR	6.2kΩ 1/16W J	
C570	QFLC1HJ-102Z	M CAPACITOR	1000pF 50V J		R445	NRSA63J-622X	MG RESISTOR	6.2kΩ 1/16W J	
C571	QETN1AM-477Z	E CAPACITOR	470uF 10V M		R446	NRSA63J-103X	MG RESISTOR	10kΩ 1/16W J	
C580	QETN1AM-477Z	E CAPACITOR	470uF 10V M		R447	NRSA63J-103X	MG RESISTOR	10kΩ 1/16W J	
C581	QETN1AM-477Z	E CAPACITOR	470uF 10V M		R448	NRSA63J-512X	MG RESISTOR	5.1kΩ 1/16W J	
C582	QETN1HM-106Z	E CAPACITOR	10uF 50V M		R449	NRSA63J-562X	MG RESISTOR	5.6kΩ 1/16W J	
C583	QETN1HM-106Z	E CAPACITOR	10uF 50V M		R450	NRSA63J-104X	MG RESISTOR	100kΩ 1/16W J	
C584	QETN1AM-477Z	E CAPACITOR	470uF 10V M		R451	NRSA63J-103X	MG RESISTOR	10kΩ 1/16W J	
C585	NCF31CZ-104X	C CAPACITOR	0.1uF 16V Z		R452	NRSA63J-474X	MG RESISTOR	470kΩ 1/16W J	
C586	NCF31CZ-104X	C CAPACITOR	0.1uF 16V Z		R453	NRSA63J-474X	MG RESISTOR	470kΩ 1/16W J	
C588	NCB31CK-103X	C CAPACITOR	0.01uF 16V K		R454	NRSA63J-101X	MG RESISTOR	100Ω 1/16W J	
C589	QFLC1HJ-103Z	M CAPACITOR	0.01uF 50V J		R455	NRSA63J-225X	MG RESISTOR	2.2MΩ 1/16W J	
C590	NCB31HK-103X	C CAPACITOR	0.01uF 50V K		R456	NRSA63J-153X	MG RESISTOR	15kΩ 1/16W J	
C593	QETN1AM-227Z	E CAPACITOR	220uF 10V M		R458	NRSA63J-0R0X	MG RESISTOR	0Ω 1/16W J	
C594	QETN1HM-105Z	E CAPACITOR	1uF 50V M		R459	NRSA63J-682X	MG RESISTOR	6.8kΩ 1/16W J	
C595	QETN1HM-105Z	E CAPACITOR	1uF 50V M		R466	NRSA63J-332X	MG RESISTOR	3.3kΩ 1/16W J	
C596	QETN1HM-105Z	E CAPACITOR	1uF 50V M		R467	NRSA63J-332X	MG RESISTOR	3.3kΩ 1/16W J	
C597	NDC31HJ-330X	C CAPACITOR	33pF 50V J		R468	QRE141J-433Y	C RESISTOR	43kΩ 1/4W J	
C801	NDC31HJ-270X	C CAPACITOR	27pF 50V J		R469	QRE141J-433Y	C RESISTOR	43kΩ 1/4W J	
C802	NDC31HJ-300X	C CAPACITOR	30pF 50V J		R470	NRSA63J-274X	MG RESISTOR	270kΩ 1/16W J	
C803	NCB31CK-223X	C CAPACITOR	0.022uF 16V K		R471	NRSA63J-104X	MG RESISTOR	100kΩ 1/16W J	
C804	NCB31CK-103X	C CAPACITOR	0.01uF 16V K		R472	NRSA63J-104X	MG RESISTOR	100kΩ 1/16W J	
C805	NCF21CZ-105X	C CAPACITOR	1uF 16V Z		R473	NRSA63J-104X	MG RESISTOR	100kΩ 1/16W J	
C806	QETN1AM-227Z	E CAPACITOR	220uF 10V M		R474	NRSA63J-104X	MG RESISTOR	100kΩ 1/16W J	
C807	QETN1AM-477Z	E CAPACITOR	470uF 10V M		R475	NRSA63J-224X	MG RESISTOR	220kΩ 1/16W J	
C808	NCB31CK-224X	C CAPACITOR	0.22uF 16V K		R476	NRSA63J-224X	MG RESISTOR	220kΩ 1/16W J	
C809	QETN1HM-475Z	E CAPACITOR	4.7uF 50V M		R477	NRSA63J-563X	MG RESISTOR	56kΩ 1/16W J	
C810	NCB31CK-224X	C CAPACITOR	0.22uF 16V K		R478	NRSA63J-223X	MG RESISTOR	22kΩ 1/16W J	
C811	QETN1CM-107Z	E CAPACITOR	100uF 16V M		R479	NRSA63J-223X	MG RESISTOR	22kΩ 1/16W J	
C812	NCB31CK-103X	C CAPACITOR	0.01uF 16V K		R480	QRE141J-132Y	C RESISTOR	1.3kΩ 1/4W J	
C900	QEKC0JM-107Z	E CAPACITOR	100uF 6.3V M		R481	NRSA63J-822X	MG RESISTOR	8.2kΩ 1/16W J	
C901	NCB31CK-102X	C CAPACITOR	1000pF 16V K		R482	NRSA63J-823X	MG RESISTOR	82kΩ 1/16W J	
C902	QEKC0JM-107Z	E CAPACITOR	100uF 6.3V M		R485	NRSA63J-124X	MG RESISTOR	120kΩ 1/16W J	
					R486	NRSA63J-223X	MG RESISTOR	22kΩ 1/16W J	

△ Symbol No.	Part No.	Part Name	Description	Local	△ Symbol No.	Part No.	Part Name	Description	Local
R487	QRE141J-562Y	C RESISTOR	5.6kΩ 1/4W J		R597	NRSA63J-103X	MG RESISTOR	10kΩ 1/16W J	
R488	NRSA63J-822X	MG RESISTOR	8.2kΩ 1/16W J		R598	NRSA63J-473X	MG RESISTOR	47kΩ 1/16W J	
R489	NRSA63J-563X	MG RESISTOR	56kΩ 1/16W J		R599	NRSA63J-225X	MG RESISTOR	2.2MΩ 1/16W J	
R490	NRSA63J-223X	MG RESISTOR	22kΩ 1/16W J		R802	NRSA63J-102X	MG RESISTOR	1kΩ 1/16W J	
R491	NRSA63J-223X	MG RESISTOR	22kΩ 1/16W J		R803	NRSA63J-102X	MG RESISTOR	1kΩ 1/16W J	
R492	NRSA63J-101X	MG RESISTOR	100Ω 1/16W J		R804	NRSA63J-102X	MG RESISTOR	1kΩ 1/16W J	
R493	NRSA63J-101X	MG RESISTOR	100Ω 1/16W J		R805	NRSA63J-102X	MG RESISTOR	1kΩ 1/16W J	
R494	NRSA63J-224X	MG RESISTOR	220kΩ 1/16W J		R806	NRSA63J-102X	MG RESISTOR	1kΩ 1/16W J	
R495	QRE141J-682Y	C RESISTOR	6.8kΩ 1/4W J		R807	NRSA63J-102X	MG RESISTOR	1kΩ 1/16W J	
R496	QRE141J-154Y	C RESISTOR	150kΩ 1/4W J		R808	NRSA63J-221X	MG RESISTOR	220Ω 1/16W J	
R497	NRSA63J-104X	MG RESISTOR	100kΩ 1/16W J		R809	NRSA63J-102X	MG RESISTOR	1kΩ 1/16W J	
R498	NRSA63J-104X	MG RESISTOR	100kΩ 1/16W J		R810	NRSA63J-221X	MG RESISTOR	220Ω 1/16W J	
R499	NRSA63J-473X	MG RESISTOR	47kΩ 1/16W J		R812	NRSA63J-102X	MG RESISTOR	1kΩ 1/16W J	
R500	NRSA63J-473X	MG RESISTOR	47kΩ 1/16W J		R813	NRSA63J-102X	MG RESISTOR	1kΩ 1/16W J	
R501	NRSA63J-271X	MG RESISTOR	270Ω 1/16W J		R816	NRSA63J-102X	MG RESISTOR	1kΩ 1/16W J	
R502	NRSA63J-104X	MG RESISTOR	100kΩ 1/16W J		R817	NRSA63J-221X	MG RESISTOR	220Ω 1/16W J	
R503	QRE141J-104Y	C RESISTOR	100kΩ 1/4W J		R818	NRSA63J-221X	MG RESISTOR	220Ω 1/16W J	
R504	QRE141J-103Y	C RESISTOR	10kΩ 1/4W J		R819	NRSA63J-102X	MG RESISTOR	1kΩ 1/16W J	
R515	NRSA63J-223X	MG RESISTOR	22kΩ 1/16W J		R820	NRSA63J-102X	MG RESISTOR	1kΩ 1/16W J	
R516	QRE141J-512Y	C RESISTOR	5.1kΩ 1/4W J		R821	NRSA63J-102X	MG RESISTOR	1kΩ 1/16W J	
R517	NRSA63J-223X	MG RESISTOR	22kΩ 1/16W J		R822	NRSA63J-102X	MG RESISTOR	1kΩ 1/16W J	
R518	QRE141J-272Y	C RESISTOR	2.7kΩ 1/4W J		R823	NRSA63J-102X	MG RESISTOR	1kΩ 1/16W J	
R519	QRE141J-103Y	C RESISTOR	10kΩ 1/4W J		R824	NRSA63J-102X	MG RESISTOR	1kΩ 1/16W J	
R520	NRSA63J-103X	MG RESISTOR	10kΩ 1/16W J		R825	NRSA63J-102X	MG RESISTOR	1kΩ 1/16W J	
R521	NRSA63J-102X	MG RESISTOR	1kΩ 1/16W J		R826	NRSA63J-102X	MG RESISTOR	1kΩ 1/16W J	
R522	NRSA63J-132X	MG RESISTOR	1.3kΩ 1/16W J		R827	NRSA63J-102X	MG RESISTOR	1kΩ 1/16W J	
R526	NRSA63J-104X	MG RESISTOR	100kΩ 1/16W J		R828	NRSA63J-102X	MG RESISTOR	1kΩ 1/16W J	
R527	NRSA63J-104X	MG RESISTOR	100kΩ 1/16W J		R829	NRSA63J-102X	MG RESISTOR	1kΩ 1/16W J	
R528	QRE141J-224Y	C RESISTOR	220kΩ 1/4W J		R830	NRSA63J-102X	MG RESISTOR	1kΩ 1/16W J	
R529	QRE141J-224Y	C RESISTOR	220kΩ 1/4W J		R831	NRSA63J-102X	MG RESISTOR	1kΩ 1/16W J	
R530	QRE141J-103Y	C RESISTOR	10kΩ 1/4W J		R832	NRSA63J-102X	MG RESISTOR	1kΩ 1/16W J	
R531	QRE141J-103Y	C RESISTOR	10kΩ 1/4W J		R833	NRSA63J-102X	MG RESISTOR	1kΩ 1/16W J	
R532	QRE141J-153Y	C RESISTOR	15kΩ 1/4W J		R837	NRSA63J-221X	MG RESISTOR	220Ω 1/16W J	
R533	QRE141J-153Y	C RESISTOR	15kΩ 1/4W J		R838	NRSA63J-221X	MG RESISTOR	220Ω 1/16W J	
R534	NRSA63J-513X	MG RESISTOR	51kΩ 1/16W J		R839	NRSA63J-102X	MG RESISTOR	1kΩ 1/16W J	
R535	NRSA63J-513X	MG RESISTOR	51kΩ 1/16W J		R840	NRSA63J-102X	MG RESISTOR	1kΩ 1/16W J	
R536	NRSA63J-103X	MG RESISTOR	10kΩ 1/16W J		R841	NRSA63J-102X	MG RESISTOR	1kΩ 1/16W J	
R537	NRSA63J-223X	MG RESISTOR	22kΩ 1/16W J		R842	NRSA63J-102X	MG RESISTOR	1kΩ 1/16W J	
R540	NRSA63J-102X	MG RESISTOR	1kΩ 1/16W J		R843	NRSA63J-102X	MG RESISTOR	1kΩ 1/16W J	
R541	NRSA63J-103X	MG RESISTOR	10kΩ 1/16W J		R844	NRSA63J-102X	MG RESISTOR	1kΩ 1/16W J	
R542	NRSA63J-103X	MG RESISTOR	10kΩ 1/16W J		R845	NRSA63J-104X	MG RESISTOR	100kΩ 1/16W J	
R544	NRSA63J-472X	MG RESISTOR	4.7kΩ 1/16W J		R846	NRSA63J-331X	MG RESISTOR	330Ω 1/16W J	
R545	NRSA63J-472X	MG RESISTOR	4.7kΩ 1/16W J		R847	NRSA63J-472X	MG RESISTOR	4.7kΩ 1/16W J	
R554	NRSA63J-472X	MG RESISTOR	4.7kΩ 1/16W J		R848	NRSA63J-102X	MG RESISTOR	1kΩ 1/16W J	
R555	NRSA63J-472X	MG RESISTOR	4.7kΩ 1/16W J		R849	NRSA63J-221X	MG RESISTOR	220Ω 1/16W J	
R556	NRSA63J-103X	MG RESISTOR	10kΩ 1/16W J		R850	NRSA63J-221X	MG RESISTOR	220Ω 1/16W J	
R557	NRSA63J-103X	MG RESISTOR	10kΩ 1/16W J		R851	NRSA63J-221X	MG RESISTOR	220Ω 1/16W J	
R558	NRSA63J-102X	MG RESISTOR	1kΩ 1/16W J		R852	NRSA63J-102X	MG RESISTOR	1kΩ 1/16W J	
R564	NRSA63J-122X	MG RESISTOR	1.2kΩ 1/16W J		R853	NRSA63J-102X	MG RESISTOR	1kΩ 1/16W J	
R565	NRSA63J-562X	MG RESISTOR	5.6kΩ 1/16W J		R854	NRSA63J-102X	MG RESISTOR	1kΩ 1/16W J	
R567	NRSA63J-102X	MG RESISTOR	1kΩ 1/16W J		R855	NRSA63J-221X	MG RESISTOR	220Ω 1/16W J	
R568	NRSA63J-102X	MG RESISTOR	1kΩ 1/16W J		R856	NRSA63J-102X	MG RESISTOR	1kΩ 1/16W J	
R569	NRSA63J-102X	MG RESISTOR	1kΩ 1/16W J		R857	NRSA63J-102X	MG RESISTOR	1kΩ 1/16W J	
R570	NRSA63J-102X	MG RESISTOR	1kΩ 1/16W J		R858	NRSA63J-221X	MG RESISTOR	220Ω 1/16W J	
R571	NRSA63J-104X	MG RESISTOR	100kΩ 1/16W J		R859	NRSA63J-221X	MG RESISTOR	220Ω 1/16W J	
R572	NRSA63J-104X	MG RESISTOR	100kΩ 1/16W J		R860	NRSA63J-221X	MG RESISTOR	220Ω 1/16W J	
R573	NRSA63J-103X	MG RESISTOR	10kΩ 1/16W J		R861	NRSA63J-102X	MG RESISTOR	1kΩ 1/16W J	
R574	NRSA63J-223X	MG RESISTOR	22kΩ 1/16W J		R863	NRSA63J-102X	MG RESISTOR	1kΩ 1/16W J	
R575	NRSA63J-102X	MG RESISTOR	1kΩ 1/16W J		R864	NRSA63J-222X	MG RESISTOR	2.2kΩ 1/16W J	
R578	NRSA63J-104X	MG RESISTOR	100kΩ 1/16W J		R865	NRSA63J-102X	MG RESISTOR	1kΩ 1/16W J	
R579	NRSA63J-104X	MG RESISTOR	100kΩ 1/16W J		R866	NRSA63J-103X	MG RESISTOR	10kΩ 1/16W J	
R580	NRSA63J-102X	MG RESISTOR	1kΩ 1/16W J		R867	NRSA63J-104X	MG RESISTOR	100kΩ 1/16W J	
R581	NRSA63J-102X	MG RESISTOR	1kΩ 1/16W J		R868	NRSA63J-102X	MG RESISTOR	1kΩ 1/16W J	
R582	NRSA63J-102X	MG RESISTOR	1kΩ 1/16W J		R869	NRSA63J-102X	MG RESISTOR	1kΩ 1/16W J	
R583	NRSA63J-102X	MG RESISTOR	1kΩ 1/16W J		R870	NRSA63J-102X	MG RESISTOR	1kΩ 1/16W J	
R584	NRSA63J-222X	MG RESISTOR	2.2kΩ 1/16W J		R871	NRSA63J-102X	MG RESISTOR	1kΩ 1/16W J	
R585	NRSA63J-222X	MG RESISTOR	2.2kΩ 1/16W J		R872	NRSA63J-103X	MG RESISTOR	10kΩ 1/16W J	
R586	NRSA63J-222X	MG RESISTOR	2.2kΩ 1/16W J		R873	NRSA63J-103X	MG RESISTOR	10kΩ 1/16W J	
R587	NRSA63J-222X	MG RESISTOR	2.2kΩ 1/16W J		R874	NRSA63J-103X	MG RESISTOR	10kΩ 1/16W J	
R588	NRSA63J-472X	MG RESISTOR	4.7kΩ 1/16W J		R875	NRSA63J-103X	MG RESISTOR	10kΩ 1/16W J	
R589	NRSA63J-103X	MG RESISTOR	10kΩ 1/16W J		R876	NRSA63J-103X	MG RESISTOR	10kΩ 1/16W J	
R590	NRSA63J-104X	MG RESISTOR	100kΩ 1/16W J		R877	NRSA63J-103X	MG RESISTOR	10kΩ 1/16W J	
R591	NRSA63J-472X	MG RESISTOR	4.7kΩ 1/16W J		R878	NRSA63J-103X	MG RESISTOR	10kΩ 1/16W J	
R592	NRSA63J-103X	MG RESISTOR	10kΩ 1/16W J		R879	NRSA63J-103X	MG RESISTOR	10kΩ 1/16W J	
R593	NRSA63J-104X	MG RESISTOR	100kΩ 1/16W J		R880	NRSA63J-103X	MG RESISTOR	10kΩ 1/16W J	
R594	NRSA63J-682X	MG RESISTOR	6.8kΩ 1/16W J		R881	NRSA63J-103X	MG RESISTOR	10kΩ 1/16W J	
R595	NRSA63J-104X	MG RESISTOR	100kΩ 1/16W J		R882	NRSA63J-103X	MG RESISTOR	10kΩ 1/16W J	
R596	NRSA63J-104X	MG RESISTOR	100kΩ 1/16W J		R883	NRSA63J-103X	MG RESISTOR	10kΩ 1/16W J	

△ Symbol No.	Part No.	Part Name	Description	Local	△ Symbol No.	Part No.	Part Name	Description	Local
R884	NRSA63J-103X	MG RESISTOR	10kΩ 1/16W J		EP402	E409182-001SM	GRAND TERMINAL		
R885	NRSA63J-102X	MG RESISTOR	1kΩ 1/16W J		FW211	QUM154-40DGZ4	FLAT WIRE		
R886	NRSA63J-102X	MG RESISTOR	1kΩ 1/16W J		FW401	QUM15A-12Z4Z4	FLAT WIRE		
R887	NRSA63J-104X	MG RESISTOR	100kΩ 1/16W J		FW402	QUM153-12Z4Z4	FLAT WIRE		
R888	NRSA63J-102X	MG RESISTOR	1kΩ 1/16W J		GND1	QUB220-13HPDT	FLAT WIRE		
R889	NRSA63J-102X	MG RESISTOR	1kΩ 1/16W J		GND2	QUB220-09HPDT	SINGLE WIRE		
R890	NRSA63J-103X	MG RESISTOR	10kΩ 1/16W J		HS580	LE40505-001A	HEAT SINK		
R891	NRSA63J-102X	MG RESISTOR	1kΩ 1/16W J		J108	GP1FA553TZ	OPT TRANSMITTER		
R892	NRSA63J-102X	MG RESISTOR	1kΩ 1/16W J		J123	QNS0089-001	3.5 JACK		
R893	NRSA63J-102X	MG RESISTOR	1kΩ 1/16W J		J910	QNS0235-001	PHONE JACK		
R894	NRSA63J-102X	MG RESISTOR	1kΩ 1/16W J		J1001	QNS0204-001	PHONE JACK		
R895	NRSA63J-102X	MG RESISTOR	1kΩ 1/16W J		S900	QSW0825-001Z	TACT SW		
R896	NRSA63J-102X	MG RESISTOR	1kΩ 1/16W J		S901	QSW0825-001Z	TACT SW		
R897	NRSA63J-102X	MG RESISTOR	1kΩ 1/16W J		S902	QSW0825-001Z	TACT SW		
R898	NRSA63J-102X	MG RESISTOR	1kΩ 1/16W J		S903	QSW0825-001Z	TACT SW		
R899	NRSA63J-102X	MG RESISTOR	1kΩ 1/16W J		S904	QSW0825-001Z	TACT SW		
R900	NRSA02J-221X	MG RESISTOR	220Ω 1/10W J		S905	QSW0825-001Z	TACT SW		
R901	NRSA02J-221X	MG RESISTOR	220Ω 1/10W J		S906	QSW0825-001Z	TACT SW		
R902	NRSA02J-221X	MG RESISTOR	220Ω 1/10W J		S907	QSW0825-001Z	TACT SW		
R903	NRSA02J-221X	MG RESISTOR	220Ω 1/10W J		S1100	QSW0454-001	SW		
R904	NRSA63J-101X	MG RESISTOR	100Ω 1/16W J		SP04	LV30225-011A	SPACER		
R905	NRSA63J-121X	MG RESISTOR	120Ω 1/16W J		SP06	LV30225-011A	SPACER		
R906	NRSA63J-151X	MG RESISTOR	150Ω 1/16W J		TW04	QUB230-10Z4Z4	FLAT WIRE		
R907	NRSA63J-221X	MG RESISTOR	220Ω 1/16W J		X801	QAX0724-001Z	CRYSTAL	12.000000MHz	
R908	NRSA63J-271X	MG RESISTOR	270Ω 1/16W J						
R909	NRSA63J-391X	MG RESISTOR	390Ω 1/16W J						
R910	NRSA63J-561X	MG RESISTOR	560Ω 1/16W J						
R940	NRSA63J-183X	MG RESISTOR	18kΩ 1/16W J						
R941	NRSA63J-183X	MG RESISTOR	18kΩ 1/16W J						
R942	NRSA63J-823X	MG RESISTOR	82kΩ 1/16W J						
R943	NRSA63J-823X	MG RESISTOR	82kΩ 1/16W J						
R990	NRSA02J-221X	MG RESISTOR	220Ω 1/10W J						
R997	NRSA63J-101X	MG RESISTOR	100Ω 1/16W J						
R1150	NRSA63J-102X	MG RESISTOR	1kΩ 1/16W J						
R1151	NRSA63J-102X	MG RESISTOR	1kΩ 1/16W J						
R1152	NRSA63J-102X	MG RESISTOR	1kΩ 1/16W J						
R1153	NRSA63J-102X	MG RESISTOR	1kΩ 1/16W J						
R1154	NRSA63J-102X	MG RESISTOR	1kΩ 1/16W J						
R1155	NRSA63J-102X	MG RESISTOR	1kΩ 1/16W J						
R1157	NRSA63J-103X	MG RESISTOR	10kΩ 1/16W J						
R1158	NRSA63J-103X	MG RESISTOR	10kΩ 1/16W J						
R1159	NRSA63J-103X	MG RESISTOR	10kΩ 1/16W J						
R1160	NRSA63J-103X	MG RESISTOR	10kΩ 1/16W J						
R1161	NRSA63J-103X	MG RESISTOR	10kΩ 1/16W J						
R1163	NRSA63J-221X	MG RESISTOR	220Ω 1/16W J						
R1164	NRSA63J-221X	MG RESISTOR	220Ω 1/16W J						
R1165	NRSA63J-102X	MG RESISTOR	1kΩ 1/16W J						
R1900	NRSA02J-221X	MG RESISTOR	220Ω 1/10W J						
R1901	NRSA02J-221X	MG RESISTOR	220Ω 1/10W J						
R1902	NRSA02J-221X	MG RESISTOR	220Ω 1/10W J						
R1903	NRSA63J-102X	MG RESISTOR	1kΩ 1/16W J						
R1904	NRSA63J-102X	MG RESISTOR	1kΩ 1/16W J						
R1905	NRSA63J-513X	MG RESISTOR	51kΩ 1/16W J						
R1906	NRSA63J-513X	MG RESISTOR	51kΩ 1/16W J						
R1907	NRSA63J-103X	MG RESISTOR	10kΩ 1/16W J						
L123	QLL231K-2R2Y	COIL	2.2uH K						
L124	QLL231K-2R2Y	COIL	2.2uH K						
L1001	QLL231K-470Y	COIL	47uH K						
L1002	QLL231K-470Y	COIL	47uH K						
L1003	QLL231K-2R2Y	COIL	2.2uH K						
CN43	QGF1205F1-09	CONNECTOR	FFC/FPC (1-9)						
CN44	QGF1205F1-10	CONNECTOR	FFC/FPC (1-10)						
CN110	QGF1036F1-26	CONNECTOR	FFC/FPC (1-26)						
CN111	QGF1036F1-06	CONNECTOR	FFC/FPC (1-6)						
CN217	QGB2510J1-13	CONNECTOR	B-B (1-13)						
CN501	QGB2510K1-16	CONNECTOR	B-B (1-16)						
CN502	QGF1205F1-21	CONNECTOR	FFC/FPC (1-21)						
CN503	QGB2510J1-05	CONNECTOR	B-B (1-5)	GD7B, GD7E, GD7EE, GD7EN, GD7EV	Q1100	KRA102M-T	DIGI TRANSISTOR		GD7B, GD7E, GD7EE, GD7EN, GD7EV
CN560	QGF1205F1-11	CONNECTOR	FFC/FPC (1-11)						
CN802	QGF1205F1-23	CONNECTOR	FFC/FPC (1-23)						
CN803	QGF1205F1-15	CONNECTOR	FFC/FPC (1-15)						
CN813	QGF1205F1-15	CONNECTOR	FFC/FPC (1-15)						
EP401	E409182-001SM	GRAND TERMINAL			Q1101	KRC102M-T	DIGI TRANSISTOR		GD7B, GD7E, GD7EE, GD7EN, GD7EV

Front board

Block No. [0][3][0][0]

△ Symbol No.	Part No.	Part Name	Description	Local
IC100	MM1623XF-X	IC		
IC101	MM1111XS	IC		GD7B, GD7E, GD7EE, GD7EN, GD7EV
△ IC600	STK432-070	IC		
△ IC650	PQ05RD21	IC		
△ IC670	KIA7805API	IC		
△ IC700	STK412-400	IC		
△ IC750	KIA7809API	IC		
△ IC760	KIA7809API	IC		
IC954	PT6305	FL DRIVER		
IC955	SN74HCU04N	FL DRIVER		
Q600	KRC102M-T	DIGI TRANSISTOR		
Q601	KTA1267/YG/-T	TRANSISTOR		
Q602	KTC3199/GL/-T	TRANSISTOR		
Q603	KTC3199/GL/-T	TRANSISTOR		
Q604	2SK301/PQ/-T	TRANSISTOR		
Q700	KTC1027/OY/-T	TRANSISTOR		
Q701	KTA1023/OY/-T	TRANSISTOR		
Q702	KTC3200/GL/-T	TRANSISTOR		
Q703	KTA1268/GL/-T	TRANSISTOR		
Q704	KTC3199/GL/-T	TRANSISTOR		
Q705	KTC3199/GL/-T	TRANSISTOR		
Q706	KTA1267/YG/-T	TRANSISTOR		
Q904	KRC102M-T	DIGI TRANSISTOR		
Q905	KRC102M-T	DIGI TRANSISTOR		
Q906	KRC102M-T	DIGI TRANSISTOR		
Q907	KRC102M-T	DIGI TRANSISTOR		
Q908	KRC102M-T	DIGI TRANSISTOR		
Q950	KTC3199/GL/-T	TRANSISTOR		
Q951	KTC3199/GL/-T	TRANSISTOR		
Q952	KRA102M-T	DIGI TRANSISTOR		

△ Symbol No.	Part No.	Part Name	Description	Local	△ Symbol No.	Part No.	Part Name	Description	Local
Q1102	KRC102M-T	DIGI TRANSISTOR		GD7B, GD7E, GD7EE, GD7EN, GD7EV	C714	QFLC1HJ-473Z	M CAPACITOR	0.047uF 50V J	
Q1103	KRC102M-T	DIGI TRANSISTOR		GD7B, GD7E, GD7EE, GD7EN, GD7EV	C715	QFLC1HJ-473Z	M CAPACITOR	0.047uF 50V J	
Q1104	KRC102M-T	DIGI TRANSISTOR		GD7B, GD7E, GD7EE, GD7EN, GD7EV	C716	QFLC1HJ-473Z	M CAPACITOR	0.047uF 50V J	
D600	MTZJ9.1B-T2	Z DIODE			C717	QFLC1HJ-473Z	M CAPACITOR	0.047uF 50V J	
D601	1SS133-T2	DIODE			C718	QETN1HM-105Z	E CAPACITOR	1uF 50V M	
D602	1SS133-T2	DIODE			C719	QETN1HM-106Z	E CAPACITOR	10uF 50V M	
D603	MTZJ2.4B-T2	Z DIODE			C750	QETN1HM-106Z	E CAPACITOR	10uF 50V M	
D650	MTZJ5.6C-T2	Z DIODE			C751	QETN1CM-227Z	E CAPACITOR	220uF 16V M	
D670	1SS133-T2	DIODE			C760	QETN1HM-106Z	E CAPACITOR	10uF 50V M	
D671	MTZJ6.8C-T2	Z DIODE			C761	QETN1HM-106Z	E CAPACITOR	10uF 50V M	
D700	MTZJ36B-T2	Z DIODE			C931	QEK1HM-226Z	E CAPACITOR	22uF 50V M	
D701	MTZJ36B-T2	Z DIODE			C932	QEK1HM-226Z	E CAPACITOR	22uF 50V M	
D702	MTZJ15B-T2	Z DIODE			C935	QDYB1CM-103Y	C CAPACITOR	0.01uF 16V M	
D703	MTZJ15B-T2	Z DIODE			C936	QDYB1CM-103Y	C CAPACITOR	0.01uF 16V M	
D704	1SS133-T2	DIODE			C937	QDYB1CM-103Y	C CAPACITOR	0.01uF 16V M	
D705	1SS133-T2	DIODE			C938	QDYB1CM-103Y	C CAPACITOR	0.01uF 16V M	
D706	1SS133-T2	DIODE			C939	QDYB1CM-103Y	C CAPACITOR	0.01uF 16V M	
D750	MTZJ10B-T2	Z DIODE			C940	QDYB1CM-103Y	C CAPACITOR	0.01uF 16V M	
D760	MTZJ10B-T2	Z DIODE			C941	QEK1HM-107Z	E CAPACITOR	100uF 6.3V M	
D908	SLA-362LT-T	LED			C942	QEK1HM-106Z	E CAPACITOR	10uF 50V M	
D909	SLA-362LT-T	LED			C943	QEK1HM-106Z	E CAPACITOR	10uF 50V M	
D910	SLA-362LT-T	LED			C1100	QDYB1CM-103Y	C CAPACITOR	0.01uF 16V M	GD7A GD7B, GD7E, GD7EE, GD7EN, GD7EV
D911	SLA-362LT-T	LED			C1100	QCFB1HZ-105Y	C CAPACITOR	1uF 50V Z	
D912	SLA-362LT-T	LED			C1101	QETN1HM-105Z	E CAPACITOR	1uF 50V M	
D913	SLR-342VC-T	LED			C1102	QETN1HM-105Z	E CAPACITOR	1uF 50V M	
C600	QTE1V06-106Z	E CAPACITOR	10uF 35V		C1103	QETN1HM-226Z	E CAPACITOR	22uF 50V M	
C601	QCBB1HK-221Y	C CAPACITOR	220pF 50V K		C1104	QETN1HM-105Z	E CAPACITOR	1uF 50V M	
C602	QCBB1HK-221Y	C CAPACITOR	220pF 50V K		C1105	QETN1HM-105Z	E CAPACITOR	1uF 50V M	
C603	QCBB1HK-221Y	C CAPACITOR	220pF 50V K		C1106	QETN1HM-106Z	E CAPACITOR	10uF 50V M	GD7B, GD7E, GD7EE, GD7EN, GD7EV
C604	QTE1V06-106Z	E CAPACITOR	10uF 35V		C1107	QETN1AM-477Z	E CAPACITOR	470uF 10V M	
C605	QETN1HM-107Z	E CAPACITOR	100uF 50V M		C1108	QCBB1HK-104Y	C CAPACITOR	0.1uF 50V K	GD7B, GD7E, GD7EE, GD7EN, GD7EV
C606	QTE1H28-106Z	E CAPACITOR	10uF 50V		C1110	QETN1AM-477Z	E CAPACITOR	470uF 10V M	
C607	QTE1H28-106Z	E CAPACITOR	10uF 50V		C1111	QCSB1HJ-330Y	C CAPACITOR	33pF 50V J	GD7B, GD7E, GD7EE, GD7EN, GD7EV
C608	QETN1HM-107Z	E CAPACITOR	100uF 50V M		C1112	QETN1AM-477Z	E CAPACITOR	470uF 10V M	GD7B, GD7E, GD7EE, GD7EN, GD7EV
C609	QCBB1HK-221Y	C CAPACITOR	220pF 50V K		C1113	QCSB1HJ-330Y	C CAPACITOR	33pF 50V J	GD7B, GD7E, GD7EE, GD7EN, GD7EV
C610	QCSB1HJ-100Y	C CAPACITOR	10pF 50V J		C1114	QETN1AM-477Z	E CAPACITOR	470uF 10V M	GD7B, GD7E, GD7EE, GD7EN, GD7EV
C611	QETN1JM-476Z	E CAPACITOR	47uF 63V M		C1115	QCSB1HJ-330Y	C CAPACITOR	33pF 50V J	GD7B, GD7E, GD7EE, GD7EN, GD7EV
C612	QFLC1HJ-473Z	M CAPACITOR	0.047uF 50V J		C1116	QETN1AM-477Z	E CAPACITOR	470uF 10V M	GD7B, GD7E, GD7EE, GD7EN, GD7EV
C613	QFLC1HJ-473Z	M CAPACITOR	0.047uF 50V J		C1117	QCSB1HJ-330Y	C CAPACITOR	33pF 50V J	GD7B, GD7E, GD7EE, GD7EN, GD7EV
C614	FQCF31HZ-223Z	D.CAPACITOR			C1118	QETN1AM-477Z	E CAPACITOR	470uF 10V M	GD7A
C615	QETN1JM-476Z	E CAPACITOR	47uF 63V M		C1119	QETN1HM-105Z	E CAPACITOR	1uF 50V M	GD7A
C616	QCSB1HJ-100Y	C CAPACITOR	10pF 50V J		C1120	QCBB1HK-181Y	C CAPACITOR	180pF 50V K	GD7A
C617	QFLC1HJ-473Z	M CAPACITOR	0.047uF 50V J		C1121	QCBB1HK-181Y	C CAPACITOR	180pF 50V K	GD7A
C618	QFLC1HJ-473Z	M CAPACITOR	0.047uF 50V J						
C619	FQCF31HZ-223Z	D.CAPACITOR							
C620	QFLC1HJ-823Z	M CAPACITOR	0.082uF 50V J						
C621	QETN1HM-224Z	E CAPACITOR	0.22uF 50V M						
C622	QETN1HM-105Z	E CAPACITOR	1uF 50V M						
C650	QFVF1HJ-334Z	MF CAPACITOR	0.33uF 50V J						
C651	QETN1EM-477Z	E CAPACITOR	470uF 25V M						
C670	QETN1HM-106Z	E CAPACITOR	10uF 50V M						
C671	QETN1AM-227Z	E CAPACITOR	220uF 10V M						
C700	QCBB1HK-221Y	C CAPACITOR	220pF 50V K						
C701	QCBB1HK-221Y	C CAPACITOR	220pF 50V K						
C702	QTE1V06-106Z	E CAPACITOR	10uF 35V						
C703	QTE1V06-106Z	E CAPACITOR	10uF 35V						
C704	QCBB1HK-471Y	C CAPACITOR	470pF 50V K						
C705	QFZ0212-104Z	M CAPACITOR	0.1uF						
C706	QFZ0212-104Z	M CAPACITOR	0.1uF						
C707	QETN1CM-107Z	E CAPACITOR	100uF 16V M						
C708	QCSB1HK-4R7Y	C CAPACITOR	4.7pF 50V K						
C709	QCSB1HK-4R7Y	C CAPACITOR	4.7pF 50V K						
C710	FQCF31HZ-223Z	D.CAPACITOR							
C711	FQCF31HZ-223Z	D.CAPACITOR							
C712	QETN1JM-476Z	E CAPACITOR	47uF 63V M						
C713	QETN1JM-476Z	E CAPACITOR	47uF 63V M						

△ Symbol No.	Part No.	Part Name	Description	Local	△ Symbol No.	Part No.	Part Name	Description	Local	
C1122	QETN1AM-477Z	E CAPACITOR	470uF 10V M	GD7A	R722	QRE141J-473Y	C RESISTOR	47kΩ 1/4W J		
C1123	QCBB1HK-181Y	C CAPACITOR	180pF 50V K	GD7A	R723	QRE141J-562Y	C RESISTOR	5.6kΩ 1/4W J		
C1124	QETN1AM-477Z	E CAPACITOR	470uF 10V M		R724	QRE141J-562Y	C RESISTOR	5.6kΩ 1/4W J		
C1125	QCBB1HK-181Y	C CAPACITOR	180pF 50V K		△ R725	QRJ146J-100X	UNF C RESISTOR	10Ω 1/4W J		
C1126	QETN1AM-477Z	E CAPACITOR	470uF 10V M		△ R726	QRJ146J-100X	UNF C RESISTOR	10Ω 1/4W J		
C1127	QCBB1HK-181Y	C CAPACITOR	180pF 50V K		△ R727	QRJ146J-100X	UNF C RESISTOR	10Ω 1/4W J		
C1128	QETN1AM-477Z	E CAPACITOR	470uF 10V M		△ R728	QRJ146J-100X	UNF C RESISTOR	10Ω 1/4W J		
C1129	QCBB1HK-181Y	C CAPACITOR	180pF 50V K		R729	QRE141J-563Y	C RESISTOR	56kΩ 1/4W J		
				GD7B,	R730	QRE141J-563Y	C RESISTOR	56kΩ 1/4W J		
				GD7E,	△ R731	QRJ146J-821X	UNF C RESISTOR	820Ω 1/4W J		
C1131	QETN1HM-105Z	E CAPACITOR	1uF 50V M	GD7EE,	△ R732	QRJ146J-821X	UNF C RESISTOR	820Ω 1/4W J		
				GD7EN,	△ R733	QRJ146J-470X	UNF C RESISTOR	47Ω 1/4W J		
				GD7EV	△ R734	QRJ146J-470X	UNF C RESISTOR	47Ω 1/4W J		
				GD7B,	R735	QRE141J-103Y	C RESISTOR	10kΩ 1/4W J		
				GD7E,	R736	QRE141J-823Y	C RESISTOR	82kΩ 1/4W J		
C1140	QDYB1CM-103Y	C CAPACITOR	0.01uF 16V M	GD7EE,	R737	QRE141J-104Y	C RESISTOR	100kΩ 1/4W J		
				GD7EN,	R738	QRE141J-104Y	C RESISTOR	100kΩ 1/4W J		
				GD7EV	△ R760	QRJ146J-4R7X	UNF C RESISTOR	4.7Ω 1/4W J		
R600	QRE141J-102Y	C RESISTOR	1kΩ 1/4W J		R946	QRE141J-102Y	C RESISTOR	1kΩ 1/4W J		
R601	QRE141J-473Y	C RESISTOR	47kΩ 1/4W J		R947	QRE141J-102Y	C RESISTOR	1kΩ 1/4W J		
R602	QRE141J-473Y	C RESISTOR	47kΩ 1/4W J		R948	QRE141J-102Y	C RESISTOR	1kΩ 1/4W J		
R603	QRE141J-102Y	C RESISTOR	1kΩ 1/4W J		R950	QRE141J-102Y	C RESISTOR	1kΩ 1/4W J		
△ R604	QRT01DJ-R22X	MF RESISTOR	0.22Ω 1W J		R951	QRE141J-221Y	C RESISTOR	220Ω 1/4W J		
△ R605	QRT01DJ-R22X	MF RESISTOR	0.22Ω 1W J		R952	QRE141J-221Y	C RESISTOR	220Ω 1/4W J		
△ R606	QRT01DJ-R22X	MF RESISTOR	0.22Ω 1W J		R953	QRE141J-221Y	C RESISTOR	220Ω 1/4W J		
△ R607	QRT01DJ-R22X	MF RESISTOR	0.22Ω 1W J		R954	QRE141J-221Y	C RESISTOR	220Ω 1/4W J		
R608	QRE141J-333Y	C RESISTOR	33kΩ 1/4W J		R955	QRE141J-221Y	C RESISTOR	220Ω 1/4W J		
△ R609	QRJ146J-101X	UNF C RESISTOR	100Ω 1/4W J		R956	QRE141J-101Y	C RESISTOR	100Ω 1/4W J		
△ R610	QRJ146J-101X	UNF C RESISTOR	100Ω 1/4W J		R957	QRE141J-101Y	C RESISTOR	100Ω 1/4W J		
△ R611	QRJ146J-100X	UNF C RESISTOR	10Ω 1/4W J		R958	QRE141J-121Y	C RESISTOR	120Ω 1/4W J		
R612	QRE141J-103Y	C RESISTOR	10kΩ 1/4W J		R959	QRE141J-151Y	C RESISTOR	150Ω 1/4W J		
R613	QRE141J-103Y	C RESISTOR	10kΩ 1/4W J		R960	QRE141J-221Y	C RESISTOR	220Ω 1/4W J		
R614	QRE141J-221Y	C RESISTOR	220Ω 1/4W J		R961	QRE141J-271Y	C RESISTOR	270Ω 1/4W J		
R615	QRE141J-563Y	C RESISTOR	56kΩ 1/4W J		R962	QRE141J-391Y	C RESISTOR	390Ω 1/4W J		
△ R616	QRJ146J-100X	UNF C RESISTOR	10Ω 1/4W J		R963	QRE141J-561Y	C RESISTOR	560Ω 1/4W J		
△ R617	QRJ146J-100X	UNF C RESISTOR	10Ω 1/4W J		R964	QRE141J-102Y	C RESISTOR	1kΩ 1/4W J		
R618	QRE141J-105Y	C RESISTOR	1MΩ 1/4W J		R965	QRE141J-182Y	C RESISTOR	1.8kΩ 1/4W J		
R619	QRE141J-392Y	C RESISTOR	3.9kΩ 1/4W J		R967	QRE141J-101Y	C RESISTOR	100Ω 1/4W J		
△ R620	QRJ146J-122X	UNF C RESISTOR	1.2kΩ 1/4W J		R968	QRE141J-101Y	C RESISTOR	100Ω 1/4W J		
R621	QRE141J-475Y	C RESISTOR	4.7MΩ 1/4W J		R969	QRE141J-121Y	C RESISTOR	120Ω 1/4W J		
R622	QRE141J-473Y	C RESISTOR	47kΩ 1/4W J		R970	QRE141J-151Y	C RESISTOR	150Ω 1/4W J		
R623	QRE141J-153Y	C RESISTOR	15kΩ 1/4W J		R971	QRE141J-221Y	C RESISTOR	220Ω 1/4W J		
R624	QRE141J-473Y	C RESISTOR	47kΩ 1/4W J		R972	QRE141J-271Y	C RESISTOR	270Ω 1/4W J		
R625	QRE141J-222Y	C RESISTOR	2.2kΩ 1/4W J		R973	QRE141J-391Y	C RESISTOR	390Ω 1/4W J		
R626	QRE141J-563Y	C RESISTOR	56kΩ 1/4W J		R974	QRE141J-561Y	C RESISTOR	560Ω 1/4W J		
△ R627	QRJ146J-122X	UNF C RESISTOR	1.2kΩ 1/4W J		R975	QRE141J-102Y	C RESISTOR	1kΩ 1/4W J		
△ R628	QRJ146J-100X	UNF C RESISTOR	10Ω 1/4W J		R976	QRE141J-182Y	C RESISTOR	1.8kΩ 1/4W J		
△ R629	QRJ146J-100X	UNF C RESISTOR	10Ω 1/4W J		R978	QRE141J-221Y	C RESISTOR	220Ω 1/4W J		
R630	QRE141J-221Y	C RESISTOR	220Ω 1/4W J		R980	QRE141J-101Y	C RESISTOR	100Ω 1/4W J		
R631	QRE141J-473Y	C RESISTOR	47kΩ 1/4W J		R982	QRE141J-104Y	C RESISTOR	100kΩ 1/4W J		
R632	QRE141J-222Y	C RESISTOR	2.2kΩ 1/4W J		R983	QRE141J-104Y	C RESISTOR	100kΩ 1/4W J		
R633	QRE141J-823Y	C RESISTOR	82kΩ 1/4W J		R995	QRE141J-104Y	C RESISTOR	100kΩ 1/4W J		
R634	QRE141J-104Y	C RESISTOR	100kΩ 1/4W J		R996	QRE141J-104Y	C RESISTOR	100kΩ 1/4W J		
R635	QRE141J-103Y	C RESISTOR	10kΩ 1/4W J		R997	QRE141J-272Y	C RESISTOR	2.7kΩ 1/4W J		
R636	QRE141J-203Y	C RESISTOR	20kΩ 1/4W J						GD7A	
R671	QRE141J-102Y	C RESISTOR	1kΩ 1/4W J						GD7B,	
R700	QRE141J-682Y	C RESISTOR	6.8kΩ 1/4W J		R997	QRE141J-821Y	C RESISTOR	820Ω 1/4W J		GD7E,
R701	QRE141J-682Y	C RESISTOR	6.8kΩ 1/4W J						GD7EN,	
R702	QRE141J-682Y	C RESISTOR	6.8kΩ 1/4W J						GD7EV	
R703	QRE141J-682Y	C RESISTOR	6.8kΩ 1/4W J		R998	QRE141J-111Y	C RESISTOR	110Ω 1/4W J		GD7A
R704	QRJ146J-100X	UNF C RESISTOR	10Ω 1/4W J						GD7B,	
R705	QRZ0224-R22	EMIT RESISTOR	0.22Ω		R998	QRE141J-431Y	C RESISTOR	430Ω 1/4W J		GD7E,
R706	QRZ0224-R22	EMIT RESISTOR	0.22Ω						GD7EN,	
R707	QRE141J-333Y	C RESISTOR	33kΩ 1/4W J						GD7EV	
R708	QRE141J-563Y	C RESISTOR	56kΩ 1/4W J		R999	QRE141J-182Y	C RESISTOR	1.8kΩ 1/4W J		GD7A
R709	QRE141J-563Y	C RESISTOR	56kΩ 1/4W J						GD7B,	
R710	QRE141J-102Y	C RESISTOR	1kΩ 1/4W J						GD7E,	
R711	QRE141J-103Y	C RESISTOR	10kΩ 1/4W J		R999	QRE141J-561Y	C RESISTOR	560Ω 1/4W J		GD7EE,
R712	QRE141J-103Y	C RESISTOR	10kΩ 1/4W J						GD7EN,	
R713	QRE141J-103Y	C RESISTOR	10kΩ 1/4W J						GD7EV	
R714	QRE141J-103Y	C RESISTOR	10kΩ 1/4W J		R1100	QRE141J-331Y	C RESISTOR	330Ω 1/4W J		
R715	QRE141J-104Y	C RESISTOR	100kΩ 1/4W J		R1101	QRE141J-331Y	C RESISTOR	330Ω 1/4W J		
R716	QRE141J-222Y	C RESISTOR	2.2kΩ 1/4W J		R1102	QRE141J-331Y	C RESISTOR	330Ω 1/4W J		
R717	QRE141J-102Y	C RESISTOR	1kΩ 1/4W J		R1103	QRE141J-331Y	C RESISTOR	330Ω 1/4W J		
R718	QRE141J-102Y	C RESISTOR	1kΩ 1/4W J		R1104	QRE141J-103Y	C RESISTOR	10kΩ 1/4W J		
R719	QRE141J-102Y	C RESISTOR	1kΩ 1/4W J		R1105	QRE141J-331Y	C RESISTOR	330Ω 1/4W J		
R720	QRE141J-102Y	C RESISTOR	1kΩ 1/4W J		R1106	QRE141J-331Y	C RESISTOR	330Ω 1/4W J		
R721	QRE141J-473Y	C RESISTOR	47kΩ 1/4W J		R1107	QRE141J-121Y	C RESISTOR	120Ω 1/4W J		
					R1108	QRE141J-201Y	C RESISTOR	200Ω 1/4W J		

△ Symbol No.	Part No.	Part Name	Description	Local	△ Symbol No.	Part No.	Part Name	Description	Local
R1109	QRE141J-102Y	C RESISTOR	1kΩ 1/4W J	GD7B, GD7E, GD7EE, GD7EN, GD7EV	FW902	QUM152-10Z4Z4	FLAT WIRE		GD7B, GD7E, GD7EE, GD7EN, GD7EV
R1110	QRE141J-821Y	C RESISTOR	820Ω 1/4W J	GD7B, GD7E, GD7EE, GD7EN, GD7EV	J1100	QNZ0528-002	SCART CONN		GD7A
R1111	QRE141J-123Y	C RESISTOR	12kΩ 1/4W J	GD7B, GD7E, GD7EE, GD7EN, GD7EV	J1101	QNN0434-001	PIN JACK		
R1112	QRE141J-121Y	C RESISTOR	120Ω 1/4W J		J1102	QNN0624-001	PIN JACK		
R1113	QRE141J-201Y	C RESISTOR	200Ω 1/4W J		JS958	QSW1057-001	ROTARY SW		
R1114	QRE141J-103Y	C RESISTOR	10kΩ 1/4W J	GD7B, GD7E, GD7EE, GD7EN, GD7EV	JS960	QSW1056-001	ROTARY SW		
R1115	QRE141J-101Y	C RESISTOR	100Ω 1/4W J	GD7B, GD7E, GD7EE, GD7EN, GD7EV	JS962	QSW0857-001	ROTARY SW		
R1116	QRE141J-750Y	C RESISTOR	75Ω 1/4W J	GD7B, GD7E, GD7EE, GD7EN, GD7EV	S908	QSW0825-001Z	TACT SW		
R1117	QRE141J-750Y	C RESISTOR	75Ω 1/4W J	GD7B, GD7E, GD7EE, GD7EN, GD7EV	S909	QSW0825-001Z	TACT SW		
R1118	QRE141J-750Y	C RESISTOR	75Ω 1/4W J	GD7B, GD7E, GD7EE, GD7EN, GD7EV	S910	QSW0825-001Z	TACT SW		
R1119	QRE141J-750Y	C RESISTOR	75Ω 1/4W J	GD7B, GD7E, GD7EE, GD7EN, GD7EV	S911	QSW0825-001Z	TACT SW		
R1120	QRE141J-750Y	C RESISTOR	75Ω 1/4W J	GD7A	S912	QSW0825-001Z	TACT SW		
R1121	QRE141J-750Y	C RESISTOR	75Ω 1/4W J	GD7A	S913	QSW0825-001Z	TACT SW		
R1122	QRE141J-750Y	C RESISTOR	75Ω 1/4W J	GD7A	S914	QSW0825-001Z	TACT SW		
R1123	QRE141J-750Y	C RESISTOR	75Ω 1/4W J	GD7A	S915	QSW0825-001Z	TACT SW		
R1124	QRE141J-750Y	C RESISTOR	75Ω 1/4W J	GD7A	S916	QSW0825-001Z	TACT SW		
R1125	QRE141J-750Y	C RESISTOR	75Ω 1/4W J	GD7A	S917	QSW0825-001Z	TACT SW		
R1126	QRE141J-750Y	C RESISTOR	75Ω 1/4W J	GD7A	S918	QSW0825-001Z	TACT SW		
R1127	QRE141J-750Y	C RESISTOR	75Ω 1/4W J	GD7A	S919	QSW0825-001Z	TACT SW		
R1128	QRE141J-750Y	C RESISTOR	75Ω 1/4W J	GD7A	S920	QSW0825-001Z	TACT SW		
R1130	QRE141J-151Y	C RESISTOR	150Ω 1/4W J	GD7B, GD7E, GD7EE, GD7EN, GD7EV	S921	QSW0825-001Z	TACT SW		
L601	QQLZ035-R39	COIL	0.39uH		S922	QSW0825-001Z	TACT SW		
L602	QQLZ035-R39	COIL	0.39uH		S923	QSW0825-001Z	TACT SW		
L701	QQLZ035-R39	COIL	0.39uH		S924	QSW0825-001Z	TACT SW		
L702	QQLZ035-R39	COIL	0.39uH		S925	QSW0825-001Z	TACT SW		
BZ900	QAN0055-001	BUZZER			S926	QSW0825-001Z	TACT SW		
CN511	QGB2510J1-16	CONNECTOR	B-B (1-16)		S927	QSW0825-001Z	TACT SW		
CN512	QGF1205C1-21	CONNECTOR	FFC/FPC (1-21)		S928	QSW0825-001Z	TACT SW		
CN600	QGB2510K1-11	CONNECTOR	B-B (1-11)		S929	QSW0825-001Z	TACT SW		
CN610	QGB2510J1-11	CONNECTOR	B-B (1-11)		S930	QSW0825-001Z	TACT SW		
CN700	QGB2510K1-10	CONNECTOR	B-B (1-10)		SP501	GV40205-001A	IC HOLDER		
CN710	QGB2510J1-10	CONNECTOR	B-B (1-10)		SP900	GV40205-004A	IC HOLDER		
CN812	QGF1210G1-23	CONNECTOR	FFC/FPC (1-23)		SP902	E3400-439	SPECER		
CN902	QGF1210G1-18	CONNECTOR	FFC/FPC (1-18)		SP903	E3400-439	SPECER		
CN912	QGF1205F1-18	CONNECTOR	FFC/FPC (1-18)						
FL900	QLF0133-001	FL TUBE							
FL901	GV30530-002A	FL HOLDER							
FW215	QUM153-09DGZ4	FLAT WIRE							
FW216	QJK008-101814	FLAT WIRE							
FW218	QJK008-111814	FLAT WIRE							
FW901	QUM153-10Z4Z4	FLAT WIRE							

Loading board

Block No. [0][4][0][0]

△ Symbol No.	Part No.	Part Name	Description	Local
IC1	LB1641	IC		
IC2	LB1641	IC		
D1	MTZJ6.2A-T2	Z DIODE		
C1	QEKC1AM-107Z	E CAPACITOR	100uF 10V M	
C2	QCFB1HZ-104Y	C CAPACITOR	0.1uF 50V Z	
C3	QFLC1HJ-103Z	M CAPACITOR	0.01uF 50V J	
C5	QFLC1HJ-103Z	M CAPACITOR	0.01uF 50V J	
C6	QCFB1HZ-104Y	C CAPACITOR	0.1uF 50V Z	
C7	QCFB1HZ-104Y	C CAPACITOR	0.1uF 50V Z	
CN1	QGF1036F1-15	CONNECTOR	FFC/FPC (1-15)	
CN2	QGB2024K1-07S	CONNECTOR	B-B (1-7)	
CN3	QGB2024J1-07S	CONNECTOR	B-B (1-7)	
SW1	QSW0844-001	PUSH SWITCH		
SW2	QSW0844-001	PUSH SWITCH		
SW3	QSW0844-001	PUSH SWITCH		
SW4	QSW0844-001	PUSH SWITCH		
SW5	QSW0844-001	PUSH SWITCH		
SW6	QSW0854-002	PUSH SW		
SW8	QSW0923-001	DETECT SWITCH		

DVD servo board

Block No. [0][5][0][0]

△ Symbol No.	Part No.	Part Name	Description	Local
IC201	LA6502-X	IC		
IC301	MN2DS0003AA-H	IC		
IC302	LM1117MP-ADJ-X	IC		
IC451	MN101C61GNC	IC(MCU)		
IC452	BR93L56RFV-W-X	IC		
IC453	S-80827CNNB-W	IC		
IC505	K4S641632F-TC75	IC(DIGITAL)		
IC509	AT49LV1614T90TC	IC (FLASH)		
IC701	AK4384VT-X	IC		
Q101	KTA1001/Y/-X	TRANSISTOR		
Q102	2SC4617/R/-X	TRANSISTOR		
Q103	KTA1001/Y/-X	TRANSISTOR		
Q104	2SC4617/R/-X	TRANSISTOR		
Q105	UN2119-X	TRANSISTOR		
D101	NRSA63J-0R0X	MG RESISTOR	0Ω 1/16W J	
C101	NCB31CK-104X	C CAPACITOR	0.1uF 16V K	
C102	NCB31CK-104X	C CAPACITOR	0.1uF 16V K	
C103	NCB31CK-104X	C CAPACITOR	0.1uF 16V K	
C104	NCB31CK-104X	C CAPACITOR	0.1uF 16V K	
C105	NEA70JM-476X	E CAPACITOR	47uF 6.3V M	
C106	NEA70JM-476X	E CAPACITOR	47uF 6.3V M	
C107	NCB31CK-104X	C CAPACITOR	0.1uF 16V K	
C108	NEA70JM-476X	E CAPACITOR	47uF 6.3V M	
C111	NCB31CK-104X	C CAPACITOR	0.1uF 16V K	
C204	NCB31CK-104X	C CAPACITOR	0.1uF 16V K	
C205	NCB31HK-271X	C CAPACITOR	270pF 50V K	
C206	NDC31HJ-151X	C CAPACITOR	150pF 50V J	
C208	NCB31HK-561X	C CAPACITOR	560pF 50V K	
C211	NCB31HK-223X	C CAPACITOR	0.022uF 50V K	
C212	NCB31CK-103X	C CAPACITOR	0.01uF 16V K	
C217	NCB31CK-104X	C CAPACITOR	0.1uF 16V K	
C251	NCB31AK-474X	C CAPACITOR	0.47uF 10V K	
C253	NCB31HK-561X	C CAPACITOR	560pF 50V K	
C255	NCB31CK-153X	C CAPACITOR	0.015uF 16V K	
C256	NCB31CK-104X	C CAPACITOR	0.1uF 16V K	
C257	NCB31HK-822X	C CAPACITOR	8200pF 50V K	
C258	NCB31CK-153X	C CAPACITOR	0.015uF 16V K	
C259	NCB31CK-153X	C CAPACITOR	0.015uF 16V K	
C260	NCB31EK-223X	C CAPACITOR	0.022uF 25V K	
C261	NCB31EK-223X	C CAPACITOR	0.022uF 25V K	
C262	NCB31EK-223X	C CAPACITOR	0.022uF 25V K	
C301	NEA70GM-227X	E CAPACITOR	220uF 4V M	
C302	NEA70GM-476X	E CAPACITOR	47uF 4V M	
C303	NEA70GM-476X	E CAPACITOR	47uF 4V M	
C304	NCB30JK-105X	C CAPACITOR	1uF 6.3V K	
C305	NCB31CK-104X	C CAPACITOR	0.1uF 16V K	
C306	NCB31CK-104X	C CAPACITOR	0.1uF 16V K	
C307	NCB31CK-104X	C CAPACITOR	0.1uF 16V K	
C308	NCB31CK-104X	C CAPACITOR	0.1uF 16V K	
C309	NCB31CK-104X	C CAPACITOR	0.1uF 16V K	
C310	NCB31CK-104X	C CAPACITOR	0.1uF 16V K	
C311	NCB31CK-104X	C CAPACITOR	0.1uF 16V K	
C312	NCB31CK-104X	C CAPACITOR	0.1uF 16V K	
C313	NCB31CK-104X	C CAPACITOR	0.1uF 16V K	
C314	NCB31CK-104X	C CAPACITOR	0.1uF 16V K	
C315	NCB31CK-104X	C CAPACITOR	0.1uF 16V K	
C316	NCB31CK-104X	C CAPACITOR	0.1uF 16V K	
C317	NCB31CK-104X	C CAPACITOR	0.1uF 16V K	
C318	NCB31CK-104X	C CAPACITOR	0.1uF 16V K	
C319	NCB31CK-104X	C CAPACITOR	0.1uF 16V K	
C320	NCB31CK-104X	C CAPACITOR	0.1uF 16V K	
C321	NCB31CK-104X	C CAPACITOR	0.1uF 16V K	
C322	NCB31CK-104X	C CAPACITOR	0.1uF 16V K	
C323	NCB31CK-104X	C CAPACITOR	0.1uF 16V K	
C324	NCB21CK-105X	C CAPACITOR	1uF 16V K	
C325	NDC31HJ-180X	C CAPACITOR	18pF 50V J	
C326	NDC31HJ-150X	C CAPACITOR	15pF 50V J	
C330	NCB31CK-104X	C CAPACITOR	0.1uF 16V K	
C331	NCB31CK-333X	C CAPACITOR	0.033uF 16V K	
C332	NCB31CK-104X	C CAPACITOR	0.1uF 16V K	
C333	NCB31CK-104X	C CAPACITOR	0.1uF 16V K	

△ Symbol No.	Part No.	Part Name	Description	Local
C334	NCB31CK-104X	C CAPACITOR	0.1uF 16V K	
C335	NCB31CK-104X	C CAPACITOR	0.1uF 16V K	
C337	NCB31CK-183X	C CAPACITOR	0.018uF 16V K	
C338	NCB31HK-562X	C CAPACITOR	5600pF 50V K	
C339	NCB31CK-104X	C CAPACITOR	0.1uF 16V K	
C340	NCB21CK-105X	C CAPACITOR	1uF 16V K	
C341	NCB30JK-105X	C CAPACITOR	1uF 6.3V K	
C347	NCB31CK-104X	C CAPACITOR	0.1uF 16V K	
C348	NCB31CK-104X	C CAPACITOR	0.1uF 16V K	
C349	NCB31CK-104X	C CAPACITOR	0.1uF 16V K	
C350	NCB31CK-104X	C CAPACITOR	0.1uF 16V K	
C356	NCB21CK-105X	C CAPACITOR	1uF 16V K	
C371	NCB21CK-105X	C CAPACITOR	1uF 16V K	
C391	NCB31CK-104X	C CAPACITOR	0.1uF 16V K	
C451	NCB31CK-104X	C CAPACITOR	0.1uF 16V K	
C452	NCB31CK-104X	C CAPACITOR	0.1uF 16V K	
C453	NCB31CK-104X	C CAPACITOR	0.1uF 16V K	
C454	NCB31CK-103X	C CAPACITOR	0.01uF 16V K	
C455	NCB31CK-103X	C CAPACITOR	0.01uF 16V K	
C551	NCB31CK-104X	C CAPACITOR	0.1uF 16V K	
C552	NCF31CZ-104X	C CAPACITOR	0.1uF 16V Z	
C553	NBE20JM-226X	TA E CAPACITOR	22uF 6.3V M	
C554	NCB31CK-104X	C CAPACITOR	0.1uF 16V K	
C555	NCF31CZ-104X	C CAPACITOR	0.1uF 16V Z	
C556	NCF31CZ-104X	C CAPACITOR	0.1uF 16V Z	
C557	NCF31AZ-105X	C CAPACITOR	1uF 10V Z	
C701	NCB31CK-104X	C CAPACITOR	0.1uF 16V K	
C704	NEA70JM-227X	E CAPACITOR	220uF 6.3V M	
C706	NEA71CM-106X	E CAPACITOR	10uF 16V M	
C707	NCB31CK-104X	C CAPACITOR	0.1uF 16V K	
C721	NCB31HK-102X	C CAPACITOR	1000pF 50V K	
C722	NCB31CK-104X	C CAPACITOR	0.1uF 16V K	
C902	NCB31CK-104X	C CAPACITOR	0.1uF 16V K	
C903	NCB31CK-104X	C CAPACITOR	0.1uF 16V K	
C904	NCB31CK-104X	C CAPACITOR	0.1uF 16V K	
C907	NCB31CK-103X	C CAPACITOR	0.01uF 16V K	
R101	NRSA63J-101X	MG RESISTOR	100Ω 1/16W J	
R102	NRSA63J-101X	MG RESISTOR	100Ω 1/16W J	
R103	NRSA63J-243X	MG RESISTOR	24kΩ 1/16W J	
R104	NRSA63J-303X	MG RESISTOR	30kΩ 1/16W J	
R105	NRS125J-270X	MG RESISTOR	27Ω 1/2W J	
R106	NRSA63J-2R2X	MG RESISTOR	2.2Ω 1/16W J	
R107	NRSA63J-101X	MG RESISTOR	100Ω 1/16W J	
R108	NRSA63J-471X	MG RESISTOR	470Ω 1/16W J	
R109	NRSA63J-471X	MG RESISTOR	470Ω 1/16W J	
R110	NRSA63J-0R0X	MG RESISTOR	0Ω 1/16W J	
R111	NRSA63J-243X	MG RESISTOR	24kΩ 1/16W J	
R112	NRSA63J-303X	MG RESISTOR	30kΩ 1/16W J	
R113	NRS125J-270X	MG RESISTOR	27Ω 1/2W J	
R114	NRSA63J-2R2X	MG RESISTOR	2.2Ω 1/16W J	
R115	NRSA63J-101X	MG RESISTOR	100Ω 1/16W J	
R116	NRSA63J-471X	MG RESISTOR	470Ω 1/16W J	
R117	NRSA63J-331X	MG RESISTOR	330Ω 1/16W J	
R118	NRSA63J-0R0X	MG RESISTOR	0Ω 1/16W J	
R119	NRSA63J-0R0X	MG RESISTOR	0Ω 1/16W J	
R120	NRSA63J-0R0X	MG RESISTOR	0Ω 1/16W J	
R122	NRSA63J-0R0X	MG RESISTOR	0Ω 1/16W J	
R123	NRSA63J-0R0X	MG RESISTOR	0Ω 1/16W J	
R125	NRS125J-1R0X	MG RESISTOR	1Ω 1/2W J	
R126	NRSA02J-181X	MG RESISTOR	180Ω 1/10W J	
R204	NRSA63J-273X	MG RESISTOR	27kΩ 1/16W J	
R205	NRSA63J-273X	MG RESISTOR	27kΩ 1/16W J	
R206	NRSA63J-303X	MG RESISTOR	30kΩ 1/16W J	
R207	NRSA63J-473X	MG RESISTOR	47kΩ 1/16W J	
R208	NRSA63J-223X	MG RESISTOR	22kΩ 1/16W J	
R213	NRSA63J-103X	MG RESISTOR	10kΩ 1/16W J	
R214	NRSA63J-103X	MG RESISTOR	10kΩ 1/16W J	
R219	NRSA63J-183X	MG RESISTOR	18kΩ 1/16W J	
R220	NRSA63J-243X	MG RESISTOR	24kΩ 1/16W J	
R221	NRSA63J-682X	MG RESISTOR	6.8kΩ 1/16W J	
R251	NRS125J-R47X	MG RESISTOR	0.47Ω 1/2W J	
R252	NRSA63J-2R2X	MG RESISTOR	2.2Ω 1/16W J	
R254	NRSA63J-203X	MG RESISTOR	20kΩ 1/16W J	
R256	NRSA63J-472X	MG RESISTOR	4.7kΩ 1/16W J	
R257	NRSA63J-0R0X	MG RESISTOR	0Ω 1/16W J	
R259	NRSA63J-103X	MG RESISTOR	10kΩ 1/16W J	
R260	NRSA63J-472X	MG RESISTOR	4.7kΩ 1/16W J	

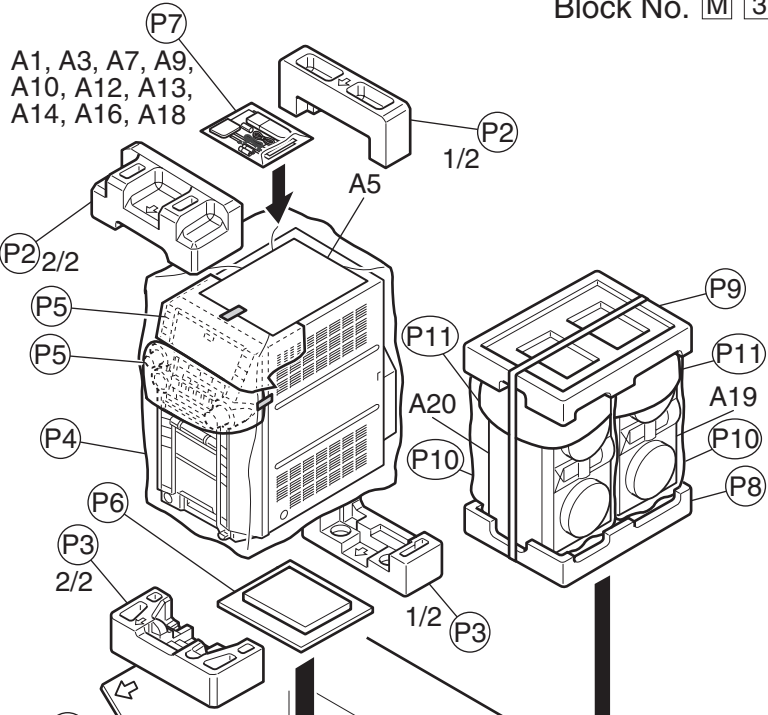
△ Symbol No.	Part No.	Part Name	Description	Local	△ Symbol No.	Part No.	Part Name	Description	Local
C104	QCBB1HK-221Y	C CAPACITOR	220pF 50V K		R342	QRE141J-243Y	C RESISTOR	24kΩ 1/4W J	
C105	QCBB1HK-391Y	C CAPACITOR	390pF 50V K		R343	QRE141J-183Y	C RESISTOR	18kΩ 1/4W J	
C106	QERF1HM-225Z	E CAPACITOR	2.2uF 50V M		R344	QRE141J-472Y	C RESISTOR	4.7kΩ 1/4W J	
C107	QCBB1HK-271Y	C CAPACITOR	270pF 50V K		R345	QRE141J-472Y	C RESISTOR	4.7kΩ 1/4W J	
C109	QEKJ1EM-475Z	E CAPACITOR	4.7uF 25V M		R346	QRE141J-472Y	C RESISTOR	4.7kΩ 1/4W J	
C110	QDYB1CM-682Y	C CAPACITOR	6800pF 16V M		R347	QRE141J-103Y	C RESISTOR	10kΩ 1/4W J	
C113	QFLA1HJ-104Z	M CAPACITOR	0.1uF 50V J		△ R353	QRZ9005-100X	FUSI RESISTOR	10Ω	
C120	QCSB1HK-4R7Y	C CAPACITOR	4.7pF 50V K		R372	QRE141J-102Y	C RESISTOR	1kΩ 1/4W J	
C121	QCBB1HK-331Y	C CAPACITOR	330pF 50V K		R375	QRE141J-151Y	C RESISTOR	150Ω 1/4W J	
C201	QDGB1HK-821Y	C CAPACITOR	820pF 50V K		R376	QRE141J-472Y	C RESISTOR	4.7kΩ 1/4W J	
C202	QDYB1CM-103Y	C CAPACITOR	0.01uF 16V M		VR31	QVP0008-203Z	TRIM RESISTOR	20kΩ	
C203	QFLA1HJ-104Z	M CAPACITOR	0.1uF 50V J						
C204	QCBB1HK-221Y	C CAPACITOR	220pF 50V K		L301	QQR1118-002	OSC COIL(BIAS)		
C205	QCBB1HK-391Y	C CAPACITOR	390pF 50V K		L303	QQL244K-100Z	COIL	10uH K	
C206	QERF1HM-225Z	E CAPACITOR	2.2uF 50V M						
C207	QCBB1HK-271Y	C CAPACITOR	270pF 50V K		CN31	QGF1205F1-06	CONNECTOR	FFC/FPC (1-6)	
C209	QEKJ1EM-475Z	E CAPACITOR	4.7uF 25V M		CN32	QGF1205F1-09	CONNECTOR	FFC/FPC (1-9)	
C210	QDYB1CM-682Y	C CAPACITOR	6800pF 16V M		CN33	QGF1205F1-09	CONNECTOR	FFC/FPC (1-9)	
C213	QFLA1HJ-104Z	M CAPACITOR	0.1uF 50V J		CN34	QGF1201F3-10	CONNECTOR	FFC/FPC (1-10)	
C220	QCSB1HK-4R7Y	C CAPACITOR	4.7pF 50V K		H32	GV40397-002A	IC HOLDER		
C221	QCBB1HK-331Y	C CAPACITOR	330pF 50V K						
C300	QEKJ1HM-105Z	E CAPACITOR	1uF 50V M						
C301	QEKJ1AM-107Z	E CAPACITOR	100uF 10V M						
C304	QEKJ1CM-106Z	E CAPACITOR	10uF 16V M						
C306	FQETJ1AM-227Z	E CAPACITOR							
C307	QDGB1HK-102Y	C CAPACITOR	1000pF 50V K						
C308	QDXB1CM-152Y	C CAPACITOR	1500pF 16V M						
C310	QCBB1HK-223Y	C CAPACITOR	0.022uF 50V K						
C313	QEKJ1AM-107Z	E CAPACITOR	100uF 10V M						
C314	QCFB1HZ-105Y	C CAPACITOR	1uF 50V Z						
C316	QFG32AJ-223Z	PP CAPACITOR	0.022uF 100V J						
C319	QFLC1HJ-472Z	M CAPACITOR	4700pF 50V J						
C331	QEKJ1CM-476Z	E CAPACITOR	47uF 16V M						
C340	QEKJ1CM-476Z	E CAPACITOR	47uF 16V M						
C341	QEKJ1HM-105Z	E CAPACITOR	1uF 50V M						
C342	QEKJ1CM-476Z	E CAPACITOR	47uF 16V M						
C371	QEKJ1EM-475Z	E CAPACITOR	4.7uF 25V M						
C374	QEKJ1AM-107Z	E CAPACITOR	100uF 10V M						
C376	QDYB1CM-103Y	C CAPACITOR	0.01uF 16V M						
R101	QRE141J-512Y	C RESISTOR	5.1kΩ 1/4W J						
R102	QRE141J-512Y	C RESISTOR	5.1kΩ 1/4W J						
R104	QRE141J-222Y	C RESISTOR	2.2kΩ 1/4W J						
R105	QRE141J-104Y	C RESISTOR	100kΩ 1/4W J						
R106	QRE141J-113Y	C RESISTOR	11kΩ 1/4W J						
R107	QRE141J-912Y	C RESISTOR	9.1kΩ 1/4W J						
R108	QRE141J-273Y	C RESISTOR	27kΩ 1/4W J						
R110	QRE141J-103Y	C RESISTOR	10kΩ 1/4W J						
R116	QRE141J-102Y	C RESISTOR	1kΩ 1/4W J						
R121	QRE141J-153Y	C RESISTOR	15kΩ 1/4W J						
R201	QRE141J-512Y	C RESISTOR	5.1kΩ 1/4W J						
R202	QRE141J-512Y	C RESISTOR	5.1kΩ 1/4W J						
R204	QRE141J-222Y	C RESISTOR	2.2kΩ 1/4W J						
R205	QRE141J-104Y	C RESISTOR	100kΩ 1/4W J						
R206	QRE141J-113Y	C RESISTOR	11kΩ 1/4W J						
R207	QRE141J-912Y	C RESISTOR	9.1kΩ 1/4W J						
R208	QRE141J-273Y	C RESISTOR	27kΩ 1/4W J						
R210	QRE141J-103Y	C RESISTOR	10kΩ 1/4W J						
R216	QRE141J-102Y	C RESISTOR	1kΩ 1/4W J						
R221	QRE141J-153Y	C RESISTOR	15kΩ 1/4W J						
R301	QRE141J-221Y	C RESISTOR	220Ω 1/4W J						
R302	QRE141J-222Y	C RESISTOR	2.2kΩ 1/4W J						
R303	QRE141J-222Y	C RESISTOR	2.2kΩ 1/4W J						
△ R304	QRJ146J-101X	UNF C RESISTOR	100Ω 1/4W J						
R305	QRE141J-103Y	C RESISTOR	10kΩ 1/4W J						
R306	QRE141J-472Y	C RESISTOR	4.7kΩ 1/4W J						
△ R310	QRJ146J-4R7X	UNF C RESISTOR	4.7Ω 1/4W J						
R313	QRE141J-2R2Y	C RESISTOR	2.2Ω 1/4W J						
R314	QRE141J-153Y	C RESISTOR	15kΩ 1/4W J						
R315	QRE141J-101Y	C RESISTOR	100Ω 1/4W J						
R327	QRE141J-474Y	C RESISTOR	470kΩ 1/4W J						
R335	QRE141J-222Y	C RESISTOR	2.2kΩ 1/4W J						
R336	QRE141J-223Y	C RESISTOR	22kΩ 1/4W J						
R337	QRE141J-332Y	C RESISTOR	3.3kΩ 1/4W J						
R338	QRE141J-392Y	C RESISTOR	3.9kΩ 1/4W J						
R339	QRE141J-104Y	C RESISTOR	100kΩ 1/4W J						
R340	QRE141J-681Y	C RESISTOR	680Ω 1/4W J						
R341	QRE141J-123Y	C RESISTOR	12kΩ 1/4W J						

< MEMO >

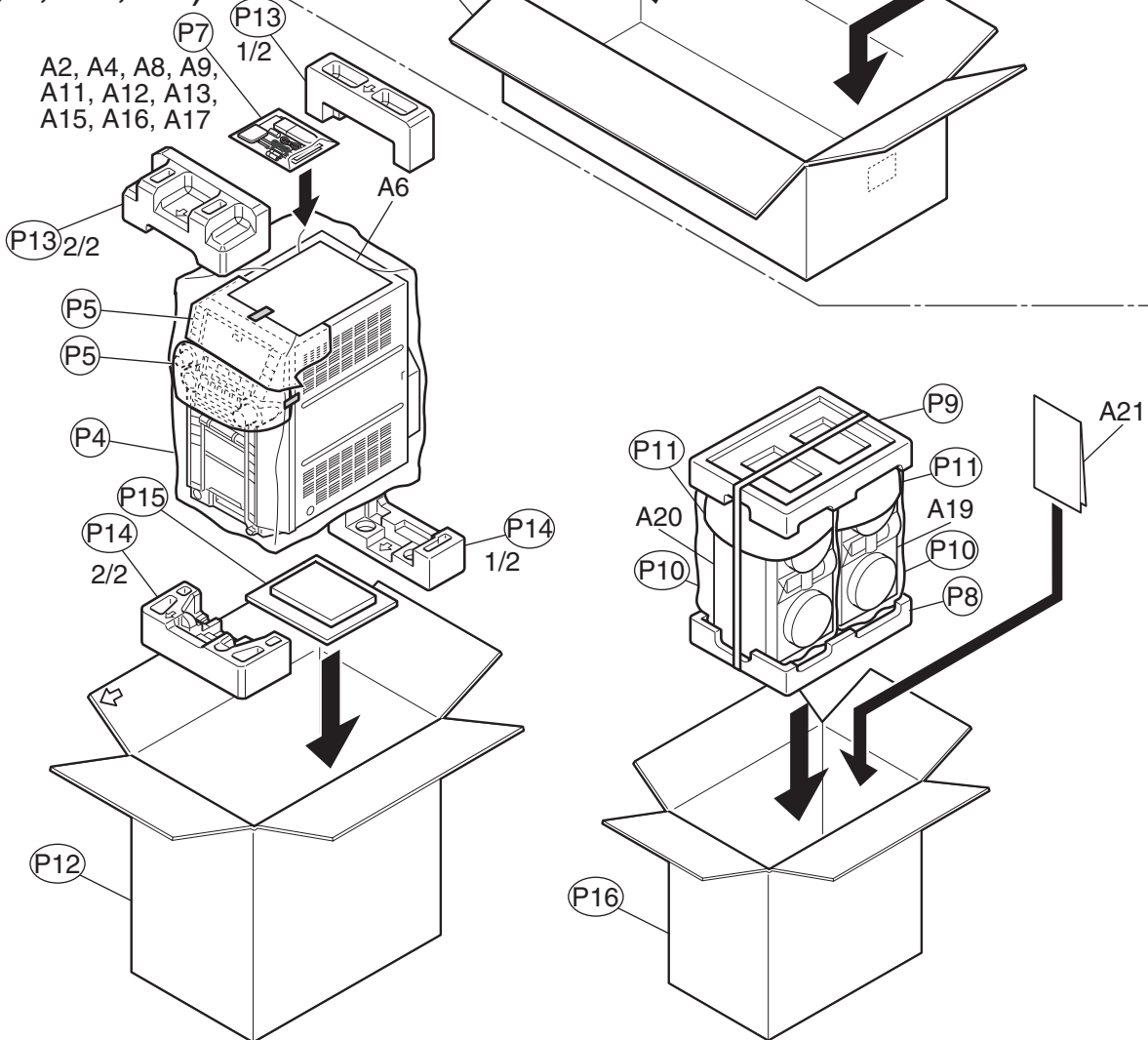
Packing materials and accessories parts list

Block No. M 3 M M

(A,EE)



(B,E,EN,EV)



Packing and Accessories

Block No. [M][3][M][M]

△ Symbol No.	Part No.	Part Name	Description	Local
A 1	GVT0125-008A	INST BOOK	ENG	GD7A
A 1	GVT0125-007A	INST BOOK	RUS	GD7EE
A 2	GVT0125-003A	INST BOOK	ENG	GD7B
A 2	GVT0125-004A	INST BOOK	GER,FRE,DUT	GD7E
A 2	GVT0125-005A	INST BOOK	SWE,FIN,DAN,GER,FRE,SPA,ITA	GD7EN
A 2	GVT0125-006A	INST BOOK	HUN.POL.CZE	GD7EV
A 3	GV40511-001A	NOTICE SHEET		GD7A
A 3	GV40511-003A	NOTICE SHEET		GD7EE
A 4	GV40511-003A	NOTICE SHEET		GD7EV
A 4	GV40511-002A	NOTICE SHEET		GD7B,GD7E,GD7EN
A 5	GV40510-001B	CAUTION SHEET		GD7A
A 5	GV40510-003A	CAUTION SHEET		GD7EE
A 6	GV40510-003A	CAUTION SHEET		GD7EV
A 6	GV40510-002A	CAUTION SHEET		GD7B,GD7E,GD7EN
A 7	GV40537-003A	INFO SHEET		GD7A
A 7	GV40537-002A	INFO SHEET		GD7EE
A 8	GV40537-002A	INFO SHEET		GD7EV
A 8	GV40537-001A	INFO SHEET		GD7B,GD7E,GD7EN
A 9	QQR0919-001	FERRITE CORE		
A 10	BT-56012-1	WARRANTY CARD		GD7A
A 10	BT-54013-7	WARRANTY CARD		GD7EE
A 11	BT-54013-7	WARRANTY CARD		GD7B,GD7E,GD7EN,GD7EV
A 12	QAL0014-001	AM LOOP ANT		
A 13	QAL0457-001	ANT.WIRE		
A 14	RM-SHXGD8J	REMOCON		GD7A
A 14	RM-SHXGD7R	REMOCON		GD7EE
A 15	RM-SHXGD7R	REMOCON		GD7B,GD7E,GD7EN,GD7EV
A 16	-----	BATTERY	(x2)	
A 17	VNA3000-204	REGISTER CARD		GD7B
A 18	QAM0216-001	SIGNAL CORD		GD7A
A 19	HXGD7E-SPBOX-R	SPEAKER BOX		
A 20	HXGD7E-SPBOX-L	SPEAKER BOX		
A 21	650-HXGD7E-00	INSTRUCTION MANUAL	ENG,GER,FRE,DUT,SPA,ITA,SWE,DAN,FIN	GD7B,GD7E,GD7EN,GD7EV
P 1	GV20282-002A	CARTON ASSY.		GD7A
P 1	GV20282-001A	CARTON ASSY.		GD7EE
P 2	GV10212-001A	CUSHION TOP		GD7A,GD7EE
P 3	GV10213-001A	CUSHION BOTTOM		GD7A,GD7EE
P 4	QPC07007030P	POLY BAG	70cm x 70cm	
P 5	GV40168-010A	SHEET	(x2)	
P 6	GV30209-004A	CUSHION SPACER		GD7A,GD7EE
P 7	QPC02503515P	POLY BAG	25cm x 35cm	
P 8	720-XGD7B0-00	POLYFOAM BTM		
P 9	720-XGD7T0-00	POLYFOAM TOP		
P 10	700-120076-10	POLY BAG	(x2)	
P 11	715-250054-00	MIRAMAT SHEET	(x2)	
P 12	GV20281-002A	CARTON ASSY.		GD7B,GD7E,GD7EN,GD7EV
P 13	GV10218-001A	CUSHION TOP		GD7B,GD7E,GD7EN,GD7EV
P 14	GV10219-001A	CUSHION BOTTOM		GD7B,GD7E,GD7EN,GD7EV
P 15	GV30209-006A	CUSHION SPACER		GD7B,GD7E,GD7EN,GD7EV
P 16	730-HXGD7E-10	CARTON		GD7B,GD7E,GD7EN,GD7EV